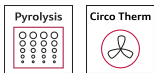


N 30, BUILT-IN OVEN, 60 X 60 CM, BLACK
B2DCG7AK3B



Optimal cooking results: CircoTherm® hot air system and Pyrolytic Self-Cleaning.

- ✓ Dual cleaning options: Pyrolytic cleaning programmes - just let the oven interior clean itself. EasyClean - the quick and easy option for day to day maintenance.
- ✓ LED-Display - simple, straightforward for clear reading
- ✓ CircoTherm® - Smart hot-air solution that lets you bake on up to three levels at once.

Built-in / Free-standing: Built-in
 Integrated Cleaning system: Pyrolytic+Hydrolytic
 Required niche size for installation (HxWxD): 585-595 x 560-568 x 550 mm
 Dimensions: 595x594x548 mm
 Dimensions of the packed product (HxWxD): . 675 x 660 x 690 mm
 Control Panel Material: Glass
 Door Material: Glass
 Net weight: 36.7 kg
 Usable volume of cavity: 71 l
 Cooking method: Full width grill, Hotair gentle, Hot Air, Conventional heat, Pizza setting, Bottom heat, Hot air grilling
 Oven control: electronic
 Length electrical supply cord: 120.0 cm
 EAN code:4242004281214
 Number of cavities (2010/30/EC): 1
 Energy efficiency rating: A+
 Energy consumption per cycle conventional (2010/30/EC): 0.94 kWh/cycle
 Energy consumption per cycle forced air convection (2010/30/EC): 0.69 kWh/cycle
 Energy efficiency index (2010/30/EC):81.2 %
 Connection Rating: 2990 W
 Fuse protection:13 A
 Voltage: 220-240 V
 Frequency: 50; 60 Hz
 Plug type: no plug (electrical connection by electrician)
 Included accessories:2 x combination grid, 1 x universal pan

2 x combination grid, 1 x universal pan

Z1608BX0 Full ext rails, level independent, Z1650BE0 Half tray, Z1655CA0 Air Fry & Grill tray, Z1913X0 Baking Stone, Z11AB15A0 Baking tray, non-stick ceramic coated, Z11AU15A0 Universal pan, non-stick ceramic coated, Z11CR10X0 Baking and roasting grid (standard), Z11GU20X0 Glasspan, Z11TI15X0 Cliprails, Z12CB10A0 Baking tray, enamelled, Z12CL10A0 Lid for professional pan, enamelled, Z12CM10A0 Moussaka pan, enamelled, Z12CN10A0 Professional pan, enamelled, Z12CP10A0 Pizza pan, enamelled, Z12CU10A0 Multipurpose pan, enamelled, Z1365WX0 Wireless food thermometer



N 30, BUILT-IN OVEN, 60 X 60 CM, BLACK
B2DCG7AK3B

Features

- Oven with 7 PC heating methods: CircoTherm®, Top/bottom heat, Circo-roasting, Full surface grill, CircoTherm® intensive, Bottom heat, CircoTherm® gentle
- Temperature range 50 °C - 275 °C
- Cavity volume: 71 litre

Level independent telescopic rails

- 4 shelf positions
- Available as an accessory

Design

- Elongated designed dials, round
- Cavity inner surface: enamel anthracite

Cleaning

- Pyrolytic cleaning
- EasyClean
- Full glass inner door

Programmes/functions

- LED-display control (red)
- Electronic clock timer
- Actual temperature display
- Heating up indicator Automatic start
- Bar handle
- Manual rapid heating up
- Interior halogen light, On/off button
- Cooling fan
- Stainless-steel fan
- Info button

Accessories

- 2 x combination grid, 1 x universal pan

Features

- 30 °C - Very low door temperature
- Low door temperature during pyrolytic cleaning
- Quadruple glazed door glazed CoolTouch door
- Door lock during pyrolytic cleaning
- Control panel lock Automatic safety switch off

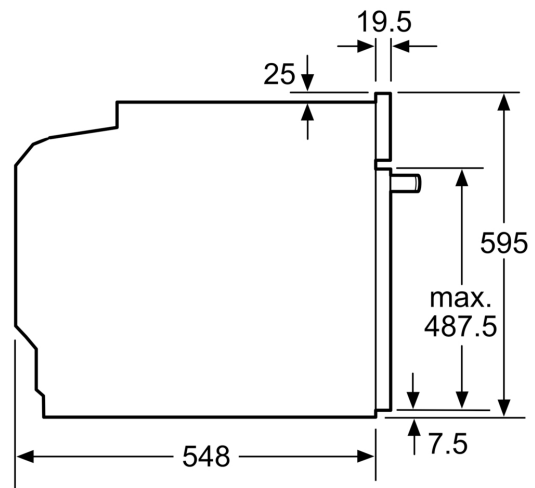
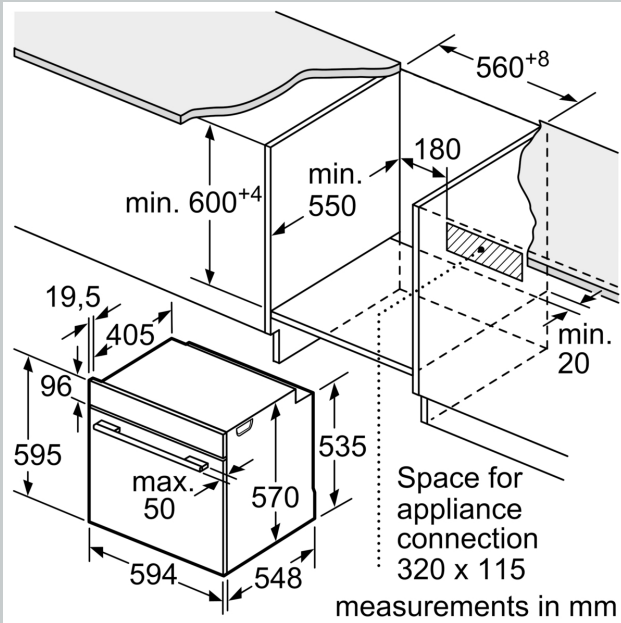
Technical information

- 120 cm Cable length
- Nominal voltage: 220 - 240 V
- Total connected load electric: 2.99 KW

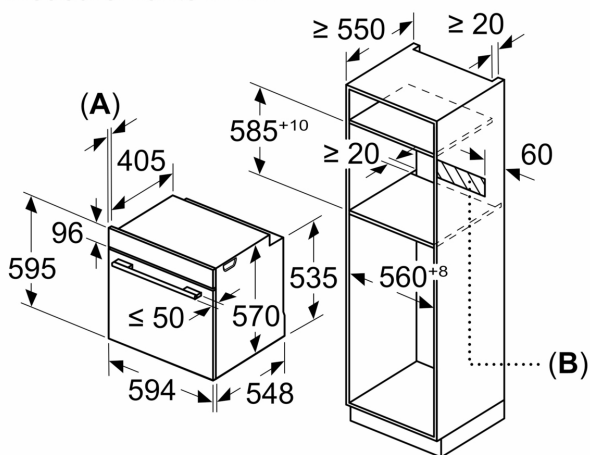
Performance/technical information

- Appliance dimension (hwxwd): 595 mm x 594 mm x 548 mm
- Niche dimension (hwxwd): 585 mm - 595 mm x 560 mm - 568 mm x 550 mm
- Please refer to the dimensions provided in the installation manual

N 30, BUILT-IN OVEN, 60 X 60 CM, BLACK
B2DCG7AK3B

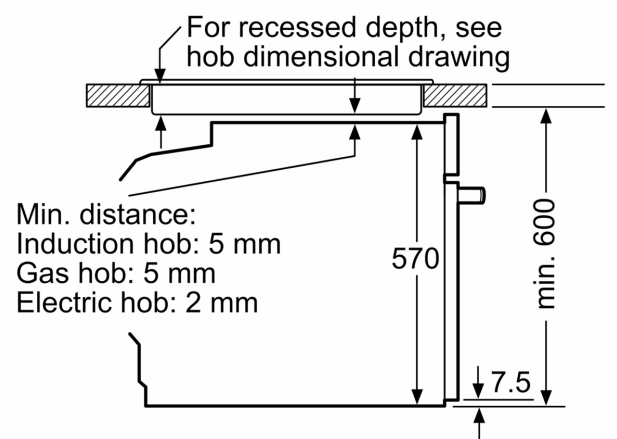


Measurements in mm



- A: 19.5 mm
- B: Space for appliance connection 320 x 115 mm

Installation with a hob.



- Min. distance:
- Induction hob: 5 mm
- Gas hob: 5 mm
- Electric hob: 2 mm