

**iQ500, Built-in microwave oven,
Stainless steel
BF525LMS0B**



Included accessories

1 x Turntable

Optional accessories

HZ86D000 Steamer Cooker Accessory for Microwave

38 cm high built-in microwave for defrosting, reheating or preparation of dishes in the shortest possible time.

- ✓ Automatic programs ensure excellent results - cookControl7.
- ✓ The touchControl allows the temperature to be controlled by entering it directly or by moving the slider with a single finger.
- ✓ 800 Watts maximum power: ideal for heating liquids
- ✓ The side-opening hinged door: ideal for elevated installation.

Features

Technical Data

Additional functions: Microwave only
 Control panel: Electronic
 Dimensions: 382 x 594 x 317 mm
 Cavity dimensions: 201.0 x 308.0 x 282.0 mm
 Length electrical supply cord: 130.0 cm
 Weight: 15.9 kg
 Gross weight: 18.2 kg
 EAN code: 4242003805534
 Maximum micro-wave power: 800 W
 Connection Rating: 1270 W
 Fuse protection: 10 A
 Nominal power: 230-240 V
 Frequency: 50 Hz
 Plug type: GB plug
 Included accessories: 1 x Turntable



iQ500, Built-in microwave oven, Stainless steel BF525LMS0B

Features

Design

- Left hinged door
- Cavity inner surface: stainless steel
- LED display, White display with blue indicator lights
- 25.5 cm Glass turntable

Features

- Automatic safety switch off
- Door contact switch
- LED light
- Integral cooling fan

Programmes/functions

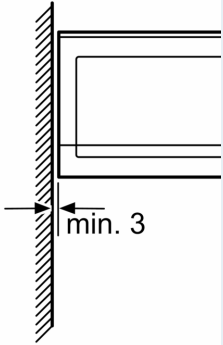
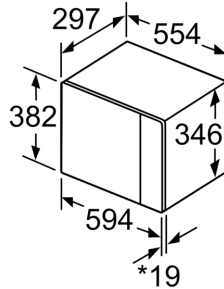
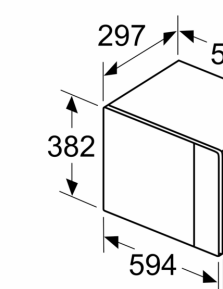
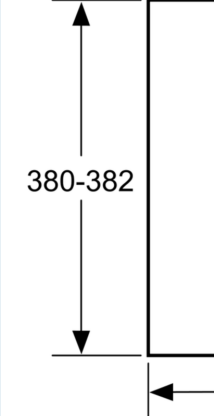
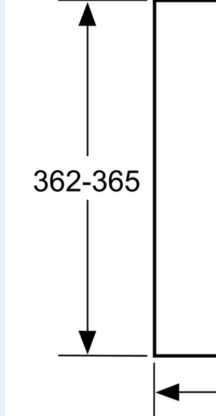
- cookControl, 7
- 1 memory setting
- 1 x Turntable

Performance/technical information

- 130 cm Cable length
- Total connected load electric: 1.27 KW
- Nominal voltage: 230 - 240 V
- Appliance dimension (hxwxd): 382 mm x 594 mm x 317 mm
- Niche dimension (hxwxd): 362 mm - 365 mm x 560 mm - 568 mm x 300 mm
- Installation in 60 cm wide wall unit, Installation in tall housing
- Please refer to the dimensions provided in the installation manual

iQ500, Built-in microwave oven,
Stainless steel
BF525LMS0B

Dimensioned drawings

<p>Microwave, corner installation</p>  <p>min. 3</p>	<p>min. Back panel open</p>  <p>297 554 382 346 594 *19</p> <p>* 20 mm for metal</p>	<p>Measurements in</p>  <p>297 5 382 594</p> <p>A: 20 mm for metal B: Back panel open</p>	 <p>380-382</p>	 <p>362-365</p>
--	--	---	--	---