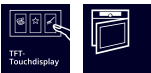


**iQ700, Built-in microwave oven,
Black
BF722L1B1B**



Optional accessories

- HZ6UCC0 Cookbook
- HZG9AS00S Adapter

The microwave with touchControl for easy control and direct selection of heating modes.

- ✓ TFT-Touchdisplay: intuitive, user-friendly, touch-based navigation and operation.
- ✓ humidClean Plus: softens dirt by vaporising soapy water. Ready to be easily wiped away.
- ✓ Automatic programs ensure excellent results - cookControl7.
- ✓ 900 Watts maximum: ideal for heating liquids
- ✓ The side-opening hinged door: ideal for elevated installation.

Features

Technical Data

Additional functions: Microwave only
 Control panel: Electronic
 Dimensions: 382 x 594 x 318 mm
 Cavity dimensions: 230 x 350 x 270 mm
 Length electrical supply cord: 175.0 cm
 Weight: 17.1 kg
 Gross weight: 18.9 kg
 EAN code: 4242003906538
 Maximum micro-wave power: 900 W
 Connection Rating: 1220 W
 Fuse protection: 10 A
 Nominal power: 220-240 V
 Frequency: 50; 60 Hz
 Plug type: GB plug



iQ700, Built-in microwave oven, Black BF722L1B1B

Features

Features

- Maximum microwave power level: 900 W and the following options 180 W, 360 W, 600 W, 90 W, 900 W
- Intelligent microwave inverter technology: For optimised results maximum output power will be regulated to 600 W when used in longer operation for gentler cooking.
- Cavity volume: 21 l

Design

- stainless steel, Stainless steel cavity with glass base cavity with Stainless steel cavity with glass base, stainless steel

Cleaning

- hydrolyse program

Programmes/functions

- Electronic oven clock timer
- Touch control
- User-friendly electronics: extremely
- easy and comfortable operation
- cookControl, 7
- 3 defrost and 4 cooking programmes in microwave function
- yes: one tap to maximum microwave power for 30 seconds
- LED light
- Left hinged door
- Electronic door opening button
- Touch key operation

Features

- Start button
- Door contact switch
- Integral cooling fan

Technical information

- Total connected load electric: 1.22 KW
- Nominal voltage: 220 - 240 V
- Installation in 60 cm wide wall unit, Installation in tall housing

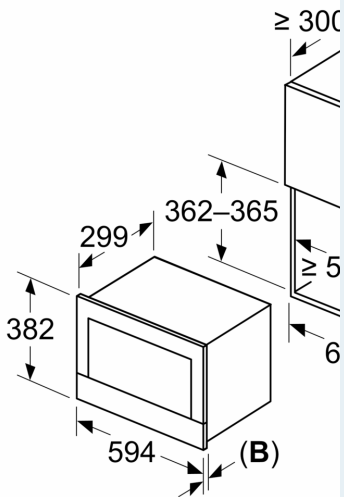
Performance/technical information

- Appliance dimension (hxwxd): 382 mm x 594 mm x 318 mm
- Niche dimension (hxwxd): 362 mm - 382 mm x 560 mm - 568 mm x 300 mm
- Please refer to the dimensions provided in the installation manual

iQ700, Built-in microwave oven,
 Black
 BF722L1B1B

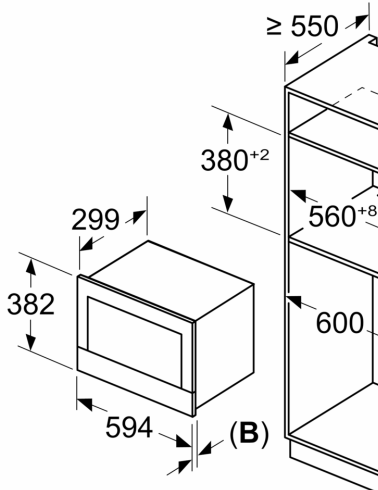
Dimensioned drawings

Measurements in mm



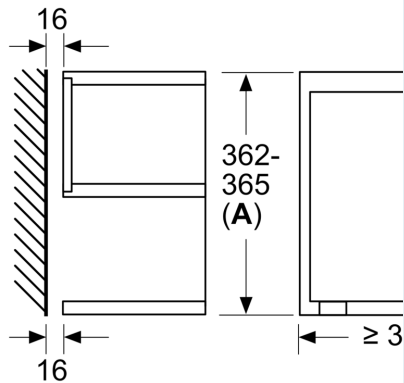
A: Back wall open
B: 19.5 mm

Measurements in mm



A: Back wall open
B: 19.5 mm

measurements in mm



A: Overhang at top:
 Recess 362: 6 mm
 Recess 365: 3 mm
B: Overhang at bottom: 14 mm