

iQ500, Built-in warming drawer, 60 x 14 cm, Black BI510CNR0B



The warming drawer is perfect for preheating crockery and for keeping foods warm.

- ✓ push&pull – No-handle drawer that's easy to open and close.
- ✓ The warming drawer admits a stepless regulation from 30°-80°C.
- ✓ The 14 cm high accessory drawer is ideally combined with a 45 cm compact appliance.

Features

Technical Data

Built-in / Free-standing:	Built-in
Capacity (in number of plates):	14
Maximum number of espresso cups:	64
Dimensions:	140 x 594 x 540 mm
Dimensions of the packed product (HxWxD): ...	210 x 660 x 660 mm
Min. required niche size for installation (HxWxD): ..	140 x 560 x 550 mm
EAN code:	4242003803868
Fuse protection:	6 A
Nominal power:	220-240 V
Frequency:	60; 50 Hz
Plug type:	GB plug
Included accessories:	1 x Anti-slip mat



iQ500, Built-in warming drawer, 60 x 14 cm, Black BI510CNR0B

Features

Design

- Can accommodate up to:
 - -14plates
 - -64 espresso cups
- Cavity inner surface: stainless steel
- Stainless steel control dial
- Handleless push-pull opening mechanism

Programmes/functions

- 4 Functions: keeping drinks and food warm, pre-warming of tableware, yeast dough proving, thawing of delicate foods

Accessories

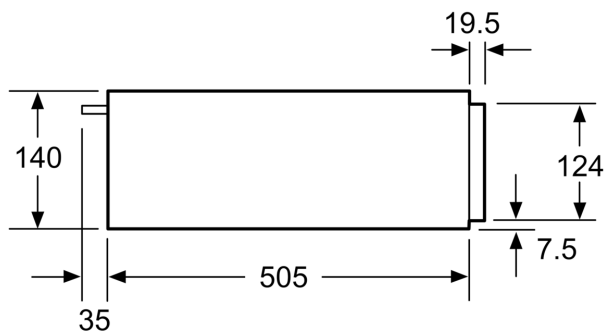
- 1 x Anti-slip mat

Performance/technical information

- Cavity volume: 23 l
- Loading up to 15 kg
- Nominal voltage: 220 - 240 V
- Power cord length 150 cm Cable length
- Total connected load electric: 0.4 KW
- Appliance dimension (hxwxd): 140 mm x 594 mm x 540 mm
- Niche dimension (hxwxd): 140 mm x 560 mm - 568 mm x 550 mm
- Please refer to the dimensions provided in the installation manual

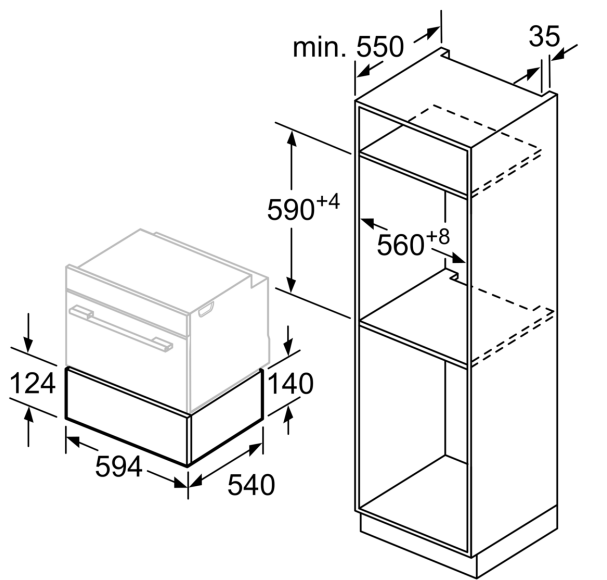
**iQ500, Built-in warming drawer,
60 x 14 cm, Black
BI510CNR0B**

Dimensioned drawings



Compact ovens with an appliance height of 455 mm can be installed above a warming drawer. An intermediate floor is not required.

measurements in mm



measurements in mm