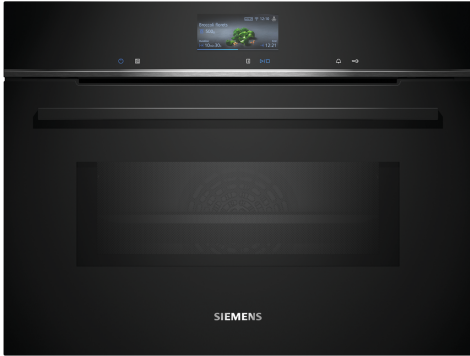


iQ700, Built-in compact oven with microwave function, 60 x 45 cm, Black CM776G1B1B



Shorten your cooking time thanks to varioSpeed, fast preheat and activeClean. And remote your oven from anywhere with Home Connect.

- ✓ Oven Assistant with Voice Control: intuitively select the right programme.
- ✓ humidClean Plus: softens dirt by vaporising soapy water. Making it easy to wipe away.
- ✓ Home Connect with Remote Control: unlock the full potential of your smart oven.
- ✓ 4D hotAir – Even heat distribution for excellent results on any level.
- ✓ fastPreheat – Heat the oven quickly. coolStart – Eliminate preheating for frozen foods.

1 x combination grid, 1 x universal pan

HZ327000 Baking stone, HZ530000 2 multipurpose pans, slim size, HZ531010 Baking tray, non-stick ceramic coated, HZ532010 Universal pan, non-stick ceramic coated, HZ617000 Pizza pan, enamelled, HZ629070 Air Fry & Grill tray, HZ631070 Baking tray, enamelled, HZ632070 Multipurpose pan, enamelled, HZ634000 Baking and roasting grid (standard), HZ636000 Glass pan, HZ664000 Baking and roasting grid (steam), HZ66X600 Decor list, HZ66X650 Cover Strip, HZ915003 Glass roasting dish, 5,4 L

Additional functions: Microwave combination oven

Control panel: Electronic
 Dimensions: 455 x 594 x 548 mm
 Cavity dimensions: 237.0 x 480 x 392.0 mm
 Length electrical supply cord: 150.0 cm
 Weight: 35.2 kg
 Gross weight: 38.2 kg
 EAN code: 4242003901281
 Maximum micro-wave power: 900 W
 Connection Rating: 3600 W
 Fuse protection: 16 A
 Nominal power: 220-240 V
 Frequency: 50; 60 Hz
 Plug type: no plug (electrical connection by electrician)
 Included accessories: 1 x combination grid, 1 x universal pan



iQ700, Built-in compact oven with microwave function, 60 x 45 cm, Black CM776G1B1B

Features

- Compact oven with microwave with 19 heating methods: conventional top & bottom heating, full width grill, half width grill, coolStart, bottom heat, low temperature cooking, keep warm, plate warming, Conventional heat gentle, Microwave, 4D Hot air, Conventional heat, Full width grill, Half width grill, Hot air grilling
- Max. Power: 900 W; 5 Microwave power settings (90 W, 180 W, 360 W, 600 W, boost) with Inverter (MW)
- Intelligent microwave inverter technology: For optimised results maximum output power will be regulated to 600 W when used in longer operation for gentler cooking.
- Temperature range 30 °C - 275 °C
- Cavity volume: 45 litres

Level independent telescopic rails

- 3 shelf positions

Design

- Touch control
- Cavity inner surface: enamel anthracite

Cleaning

- activeClean
- hydrolyse program

Programmes/functions

- Oven Assistant with Voice Control
- SE62
- Electronic oven clock timer
- Digital temperature display with proposal
- Actual temperature display Heating-up indicator
- Drop down oven door, softClose, softOpen
- cookControl Plus
- Fast preheat
- coolStart
- LED light, Light on/off when door opened/closed
- Integral cooling fan
- WLAN - Home connect enabled

Accessories

- 1 x combination grid, 1 x universal pan

Features

- Maximum door temperature 30 °C
- Electronic door lock
- Control panel lock Automatic safety switch off Residual heat indicator Start button Door contact switch

Technical information

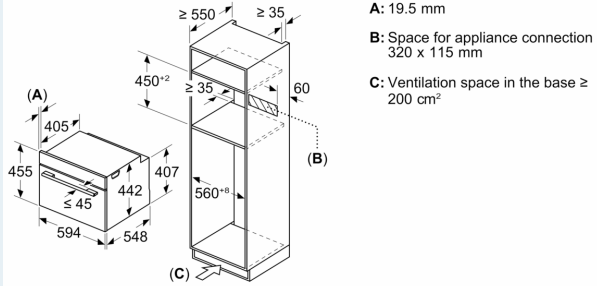
- Power cord length 150 cm Cable length
- Nominal voltage: 220 - 240 V
- Total connected load electric: 3.6 KW

Performance/technical information

- Appliance dimension (hxwx): 455 mm x 594 mm x 548 mm
- Niche dimension (hxwx): 450 mm - 455 mm x 560 mm - 568 mm x 550 mm
- Please refer to the dimensions provided in the installation manual

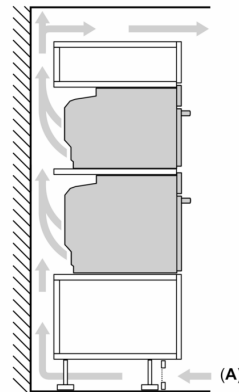
**iQ700, Built-in compact oven with microwave function, 60 x 45 cm, Black
CM776G1B1B**

Measurements in mm

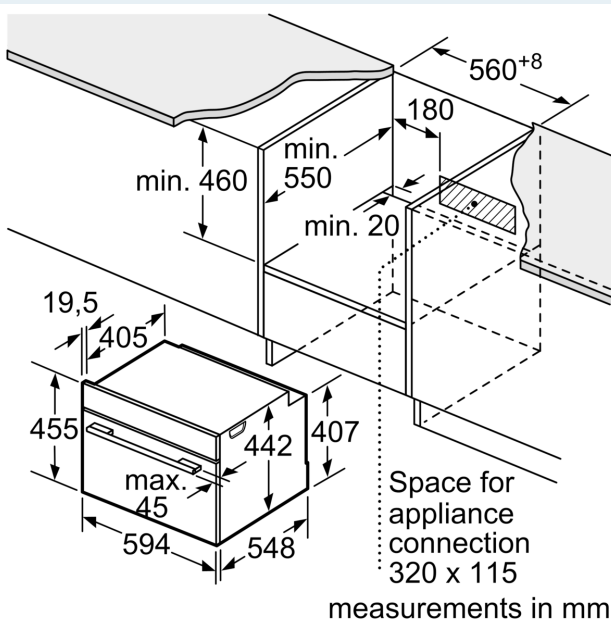


- A: 19.5 mm
- B: Space for appliance connection 320 x 115 mm
- C: Ventilation space in the base $\geq 200 \text{ cm}^2$

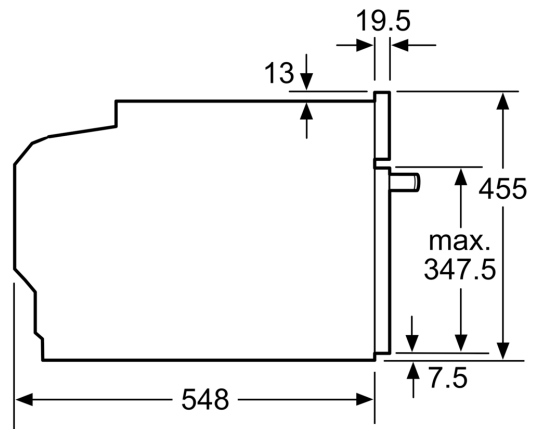
**Installing two appliances on top of each other
Air exchange**



A: Air inlet $\geq 200 \text{ cm}^2$

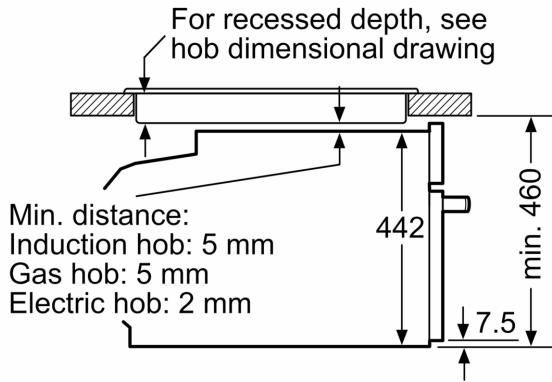


measurements in mm



measurements in mm

Installation with a hob.



measurements in mm

If the compact appliance will be installed underneath a hob, the following worktop thicknesses (including substructure if necessary) must be taken into account.

Hob type	min. worktop thickness	
	fitted	flush
Induction hob	42 mm	43 mm
Full surface Induction hob	52 mm	53 mm
Gas hob	32 mm	43 mm
Electric hob	32 mm	35 mm