

**iQ100, Gas hob, 60 cm, Stainless steel
EB6B5PB60**



HZ298105	Simmer plate
HZ298114	Small pot support

A gas cooktop with side-mounted controls.

- ✓ High-quality materials and workmanship – continuous cast-iron finish pan supports.
- ✓ Biomethane ready – Power your gas hob with renewable biomethane gas.
- ✓ The sword knob combines highest ease of use with modern design.
- ✓ The uniquely beautiful stainless-steel surface design.

Product name/family: gas hob w integrated controls

Built-in / Free-standing: Built-in
 Source of energy: Gas
 Number of cooking zones: 4
 Type of control setting devices: sword knobs
 Min. required niche size for installation (HxWxD):45 x 560-562 x 480-492 mm
 Width of the appliance: 580 mm
 Dimensions: 56 x 580 x 510 mm
 Dimensions of the packed product (HxWxD): ... 141 x 651 x 578 mm
 Weight: 7.1 kg
 Gross weight: 8.0 kg
 Residual heat indicator: without
 Location of control panel: Lateral
 Basic surface material: Stainless steel
 Color of surface: Stainless steel
 Length electrical supply cord: 100.0 cm
 EAN code: 4242003687062
 Gas connection rating: 7400 W
 Fuse protection: 3 A
 Nominal power: 220-240 V
 Frequency: 60; 50 Hz



iQ100, Gas hob, 60 cm, Stainless steel EB6B5PB60

Design

- Stainless steel surface
- cast iron finish pan supports with rubber feet

Usage convenience

- Design co-ordinated control dials: access knobs on the side with strong grip for effortless turning.
- Ignition via control dials: just push and turn the dials to ignite the flame.

Burners and power

- 4 burner gas hob including:
- Left front: High-speed burner up to 3 KW (depending on gas type)
- Left rear: Standard burner up to 1.7 KW (depending on gas type)
- Right rear: Standard burner up to 1.7 KW (depending on gas type)
- Right front: Economy burner up to 1 KW (depending on gas type)

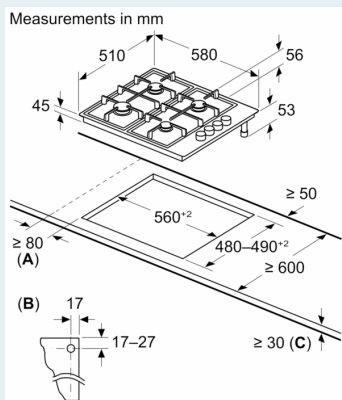
Safety

- Flame failure safety device: prevents unwanted gas flow when flame goes out.

Installation (gas types & measurements)

- Usable for: Nat gas L/LL G25/20mbar(DE)
- NG H/E 20mbar, E+ 20/25mbar Natural gas H 25 mbar (HU) Natural gas L 25 mbar (NL) Liquid gas G30,31 28-30/37mbar Liquid gas G30 37 mbar (PL) Liquid gas 50 mbar
- Factory set for connection to mains gas
- Nozzle set for LPG jets (28-30/37mbar) included. Nozzles for all other gas types can be ordered via the customer service. For nozzle change, please contact the customer service.
- Dimensions of the product (HxWxD mm): 56 x 580 x 510
- Required niche size for installation (HxWxD mm) : 45 x 560 x (480 - 492)
- Min. worktop thickness: 30 mm
- Power cord: 1 m
- Connected load: 7.4 KW

iQ100, Gas hob, 60 cm, Stainless steel EB6B5PB60



A: Min. distance from the hob cut-out to the wall

B: Position of gas connection in the cut-out

C: With fitted oven underneath possibly more; see space requirements for the oven