

iQ100, Induction hob, 80 cm, Black, EH801HVB1E



- ✓ touchSlider: control the power level with a touch of your finger.
- ✓ Home Connect: integrate your hob into your intelligent kitchen.
- ✓ Intelligent hood automatic – Hob and hood interaction for extra convenience.
- ✓ Favourite Button – Allows you to personalize your cooktop according to your preferences.
- ✓ Home Connect Recipes – Inspires you with delicious recipes that match your lifestyle.

Product name/family: Cooking zone ceramic
 Built-in / Free-standing: Built-in
 Source of energy: Electric
 Number of cooking zones: 5
 Width of the appliance: 792 mm
 Dimensions: 56 x 792 x 512 mm
 Dimensions of the packed product (HxWxD): ... 130 x 950 x 600 mm
 Weight: 12.6 kg
 Gross weight: 16.3 kg
 Residual heat indicator: Separate
 Location of control panel: Front
 Basic surface material: Ceramic
 Color of surface: Black
 Length electrical supply cord: 110.0 cm
 EAN code: 4242003935361
 Nominal power: 220-240 V
 Frequency: 50; 60 Hz



- HZ32WA00 Wireless food thermometer
- HZ390090 Wok Set consisting of 3 Items
- HZ9E5100 Espresso maker 4 cups
- HZ9FE280 Iron pan Ø 18 / 28 cm
- HZ9SE030 Set of 2 pots and 1 pan
- HZ9SE040 4 pieces Set
- HZ9SE060 6 pieces Set

iQ100, Induction hob, 80 cm, Black, EH801HVB1E

- 80 cm: space for 5 pots or pans.

Flexibility of cooking zones

- Cooking zone front left: 180 mm, 2 KW (max. power 3.1 KW)
- Cooking zone rear left: 145 mm, 1.6 KW (max. power 2.2 KW)
- Cooking zone middle: 240 mm, 2.5 KW (max. power 3.7 KW)
- Cooking zone rear right: 145 mm, 1.6 KW (max power 2.2 KW)
- Cooking zone front right: 210 mm, 2.5 KW (max. power 3.7 KW)

Usage convenience

- Multitouch+: directly control the power with the imprinted touch bar.
- yes: directly access favourite functions with a configurable button (available with connected Home Connect account).
- 17 power levels: precisely adapt the heat with 17 power levels (9 main levels and 8 intermediate levels).
- Switch-off timer: switches off the cooking zone at the end of the time set (e.g. for boiled eggs).
- alternative: an alarm sounds at the end of the time set (e.g. for pasta).
- Sound volume adaptable to personal preference and needs.

Time saving & efficiency

- Power boost setting
- : boil water faster thanks to 50% more energy than at the highest standard level.
- quickStart function: when switching on, the hob automatically selects the cooking zone with cookware (when placed on a zone whilst the hob is off).
- reStart function: in case of unintentional switch-off, this feature restores all previous settings by switching on the hob again within 4 seconds.

Connectivity

- Home Connect - enables Remote Monitoring no matter where you are, with the easy-to-use Home Connect App: check if the hob is switched off even when not at home, and find recipes or additional functions in the Home Connect app.
- cookConnect - hood control (with Wi-Fi enabled hood): automatically activates the hood when cooking, thanks to the WiFi connection of hob and suitable hood.
- yes, after software update: hood automatically adapts fan speed thanks to hob continuously providing cooking data (with matching hood and connected Home Connect account).
- via MyButton: open up the smart universe from your cooktop (partner service required). via MyButton: open up the smart universe from your cooktop (partner service required).
- Updateable appliance (available with connected Home Connect account): keep appliance always up to date with latest status of software. Updateable appliance (available with connected Home Connect account): keep appliance always up to date with latest status of software.

Design

- Flush fitting design/installation

Safety

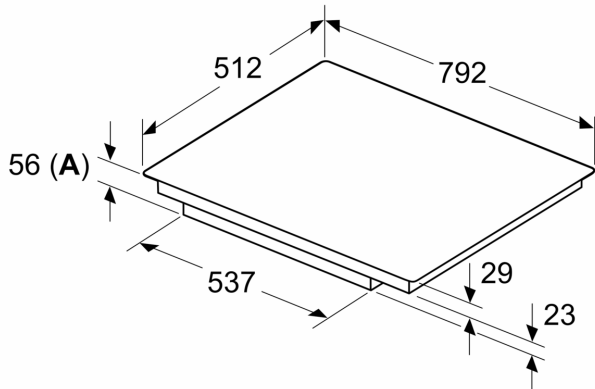
- 2 stage residual heat indicators: indicates which cooking zones are still hot or warm.
- Control panel lock: prevent unintended activation of the hob.
- Pause function: pause the heating process, e.g to answer the door.
- Main on/off switch: switch off all cooking zones at the touch of a button.
- Automatic safety switch off: for safety reasons, heating stops after a preset time if not used.

Installation

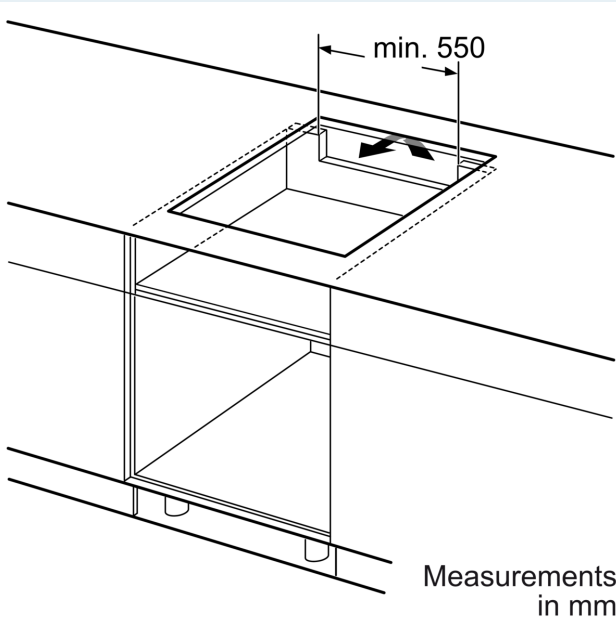
- Dimensions of the product (HxWxD mm): 56 x 792 x 512
- Required niche size for installation (HxWxD mm): 56 x 796 x 516
- Min. worktop thickness: 16 mm
- Connected load: 7.4 KW
- Connection current management (20, 16, 13, 10 Amps options): limit the maximum power if needed (depends on fuse protection of electric installation).
- For installation in stone, granitic or synthetic worktops. Other worktop materials require a suitability check with the worktop manufacturer.

**iQ100, Induction hob, 80 cm,
Black,
EH801HVB1E**

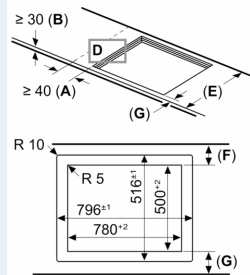
Measurements in mm



A: Recessed depth



Measurements in mm

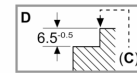


A: Min. distance from the hob cut-out to the wall

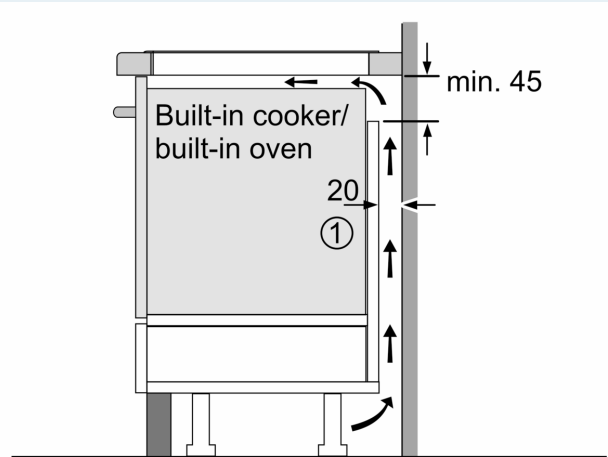
B: The clearance between the surface of the worktop and the top of the front of the oven must be 30 mm

See space requirements for the oven

C: Max. 1 mm chamfer
The worktop into which the hob is installed must withstand loads of approx. 60 kg; suitable substructures must be used if required



E	F	G
585-600	50	≥ 35
> 600	≥ 50	≥ 50



①
Ventilation gap must
be present

All measurements in mm

