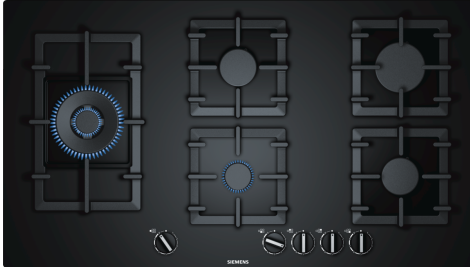


iQ500, Gas hob, 90 cm, Tempered glass, Black EP9A6SB90



HZ211310	Simmer cap
HZ298105	Simmer plate
HZ298107	Wok ring
HZ298114	Small pot support

The gas hob with stepFlame Technology for precise flame control in nine steps.

- ✓ stepFlame Technology – Precise flame control with nine different settings.
- ✓ This wok burner with 4.0 kW of power is ideal for a wide variety of foods, even in large quantities.
- ✓ High-quality materials and workmanship – continuous cast-iron pan supports.
- ✓ Biomethane ready – Power your gas hob with renewable biomethane gas.
- ✓ The extremely convenient sword knob makes it easy to control and monitor the power level selected.

Product name/family: gas hob w
integrated controls
Built-in / Free-standing: Built-in
Source of energy: Gas
Number of cooking zones: 5
Type of control setting devices: sword knobs
Min. required niche size for installation (HxWxD):45 x 850-852 x
490-502 mm
Width of the appliance: 915 mm
Dimensions: 58 x 915 x 520 mm
Dimensions of the packed product (HxWxD): . 165 x 1116 x 660 mm
Weight: 21.8 kg
Gross weight: 24.0 kg
Residual heat indicator: without
Location of control panel: Front
Basic surface material: Tempered glass
Color of surface: Black
Color of frame: Black
Length electrical supply cord: 150.0 cm
EAN code:4242003742617
Gas connection rating: 11500 W
Fuse protection:3 A
Nominal power: 220-240 V
Frequency: 60; 50 Hz



iQ500, Gas hob, 90 cm, Tempered glass, Black EP9A6SB90

Design

- Tempered Glass surface, black
- frameless design: install the hob either flush or slightly raised on the worktop
- Cast iron pan supports with rubber feet

Usage convenience

- Step Flame technology - 9 steps: precisely control and adjust the flame in nine defined levels.
- Design co-ordinated control dials: easily access dials in front with strong grip for effortless turning.
- Ignition via control dials: just push and turn the dials to ignite the flame.

Burners and power

- 5 burner gas hob including:
 - Left: Wok burner up to 4 KW (depending on gas type)
 - Center front: Economy burner up to 1 KW (depending on gas type)
 - Center rear: standard burner up to 1.75 KW (depending on gas type)
 - Right rear: High-speed burner up to 3 KW (depending on gas type)
 - Right front: Standard burner up to 1.75 KW (depending on gas type)

Safety

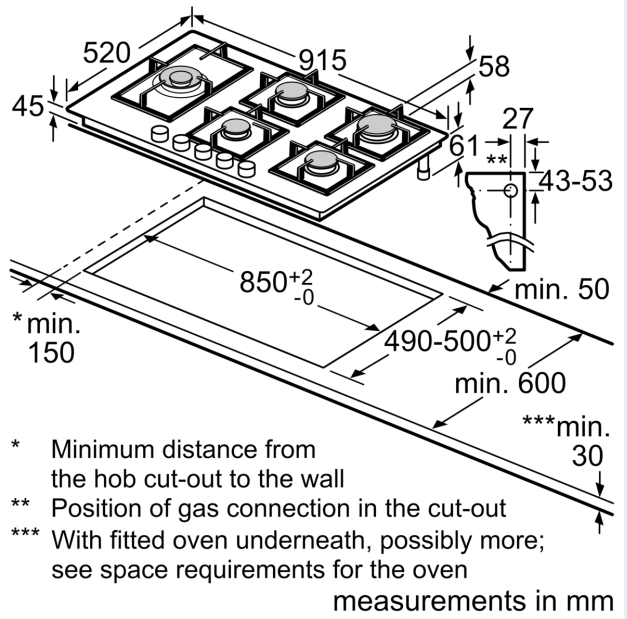
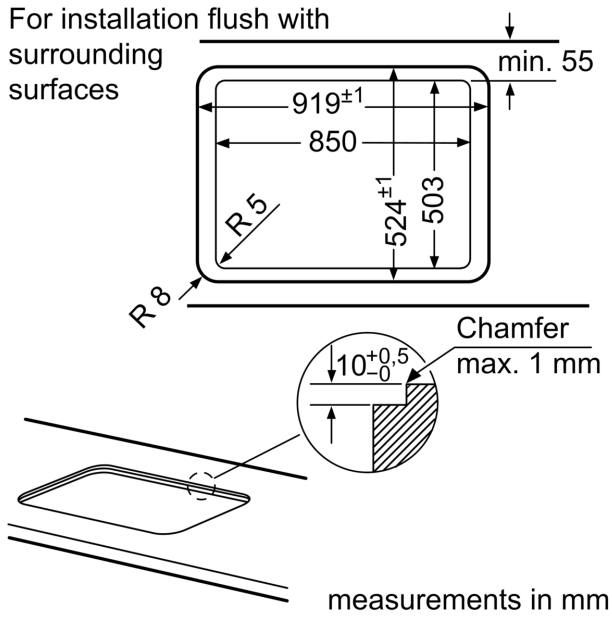
- Flame failure safety device: prevents unwanted gas flow when flame goes out.

Installation (gas types & measurements)

- Usable for: Nat gas L/LL G25/20mbar(DE)
- NG H/E 20mbar, E+ 20/25mbar Natural gas H 25 mbar (HU) Natural gas L 25 mbar (NL) Liquid gas G30,31 28-30/37mbar Liquid gas G30 37 mbar (PL) Liquid gas 50 mbar
- Factory set for connection to mains gas
- Nozzle set for LPG jets (28-30/37mbar) included. Nozzles for all other gas types can be ordered via the customer service. For nozzle change, please contact the customer service.
- Dimensions of the product (HxWxD mm): 58 x 915 x 520
- Required niche size for installation (HxWxD mm) : 45 x 850 x (490 - 502)
- Min. worktop thickness: 30 mm
- Power cord: 1.5 m
- Connected load: 11.5 KW

iQ500, Gas hob, 90 cm, Tempered glass, Black
EP9A6SB90

For installation flush with surrounding surfaces



- * Minimum distance from the hob cut-out to the wall
- ** Position of gas connection in the cut-out
- *** With fitted oven underneath, possibly more; see space requirements for the oven