

iQ500, Built-in oven, 60 x 60 cm, Stainless steel HB578A0S6B



A



Shorten your cooking time thanks to fast preheat, coolStart and activeClean. And remote control your oven from anywhere with Home Connect.

- ✓ fastPreheat – Heat the oven quickly. coolStart – Eliminate preheating for frozen foods.
- ✓ activeClean® – The automatic, self-cleaning oven system.
- ✓ Home Connect – Experience the intelligent kitchen via app.
- ✓ cookControl30: automatic programs ensure best results.
- ✓ lightControl: intuitive operation thanks to the illuminated dial.

Features

Technical Data

Built-in / Free-standing: Built-in
 Integrated Cleaning system: Pyrolytic
 Min. required niche size for installation (HxWxD): 585-595 x 560-568 x 550 mm
 Dimensions: 595 x 594 x 548 mm
 Dimensions of the packed product (HxWxD): ... 675 x 660 x 690 mm
 Control Panel Material: Glass
 Door Material: Glass
 Weight: 38.2 kg
 Usable volume of cavity: 71 l
 Heating Types: Full width grill, Hotair gentle, Hot Air, Conventional heat, Pizza setting, low temperature cooking, Deep-frozen food special, Hot air grilling
 Oven control: electronic
 Number of interior lights: 1
 Length electrical supply cord: 120.0 cm
 EAN code: 4242003861158
 Number of cavities (2010/30/EC): 1
 Energy efficiency rating: A
 Energy consumption per cycle conventional (2010/30/EC): 0.99 kWh/cycle
 Energy consumption per cycle forced air convection (2010/30/EC): 0.81 kWh/cycle
 Energy efficiency index (2010/30/EC): 95.3 %
 Connection Rating: 3600 W
 Fuse protection: 16 A
 Nominal power: 220-240 V
 Frequency: 50; 60 Hz
 Plug type: no plug (electrical connection by electrician)
 Included accessories: 2 x combination grid, 1 x universal pan



4 242003 861158

Included accessories

2 x combination grid, 1 x universal pan

Optional accessories

HZ327000 Baking stone, HZ32WA00 Wireless food thermometer, HZ531010 Baking tray, non-stick ceramic coated, HZ532010 Universal pan, non-stick ceramic coated, HZ538000 varioClip rail, HZ617000 Pizza pan, enamelled, HZ629070 Air Fry & Grill tray, HZ631070 Baking tray, enamelled, HZ632070 Multipurpose pan, enamelled, HZ634000 Baking and roasting grid (standard), HZ638000 Full ext rails, level independent, HZ664000 Baking and roasting grid (steam), HZ66X650 Cover Strip, HZ915003 Glass roasting dish, 5,4 L

iQ500, Built-in oven, 60 x 60 cm, Stainless steel HB578A0S6B

Features

Design

- LCD Display (White)
- lightControl: intuitive operation thanks to the illuminated dials
- Cavity inner surface: enamel anthracite
- Stainless steel control dial, lightControl: intuitive operation thanks to the illuminated dials, round
- Bar handle
- We recommend you to choose complementary products within iQ500, in order to assure an optimal design combination of your Built-In appliances.

Features

- Digital temperature display with proposal
- Heating-up indicator cookControl Automatic start
- Electronic door lock
- Control panel lock Automatic safety switch off Residual heat indicator Door contact switch
- WLAN - Home connect enabled
- Automatic programmes
- cookControl, 30
- Electronic oven clock timer
- Integral cooling fan
- Interior halogen light, Light on/off when door opened/closed
- 5 shelf positions in oven

Cleaning

- activeClean
- Full glass inner door

Programmes/functions

- Oven with 8 main functions, 8 main functions heating methods: 3D hot air, conventional top & bottom heating, hot air grilling, full width grill, Pizza setting, coolStart, low temperature cooking, Hotair gentle
- Fast preheat

Accessories

- 2 x combination grid, 1 x universal pan
- 1 varioClip rail, Stop function

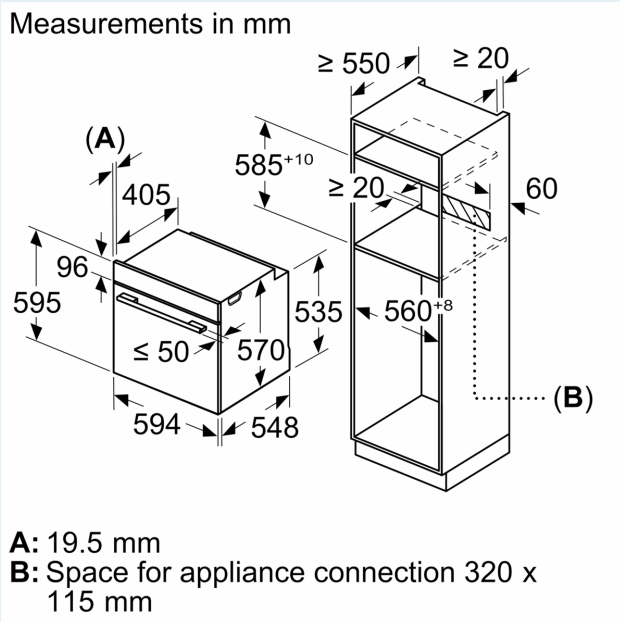
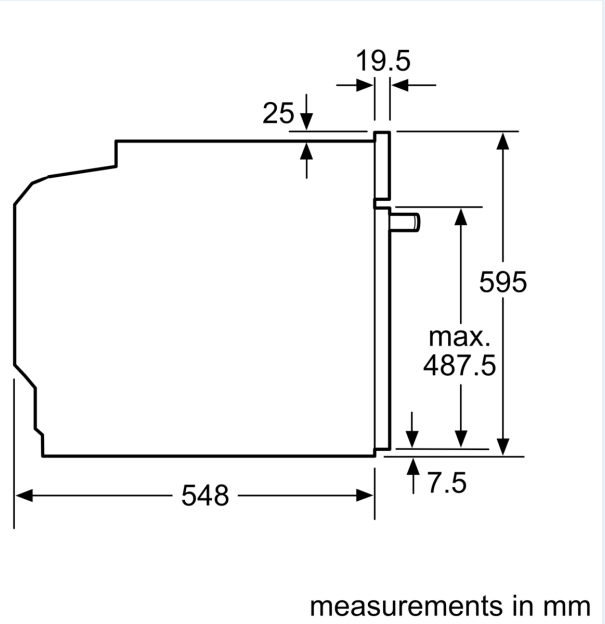
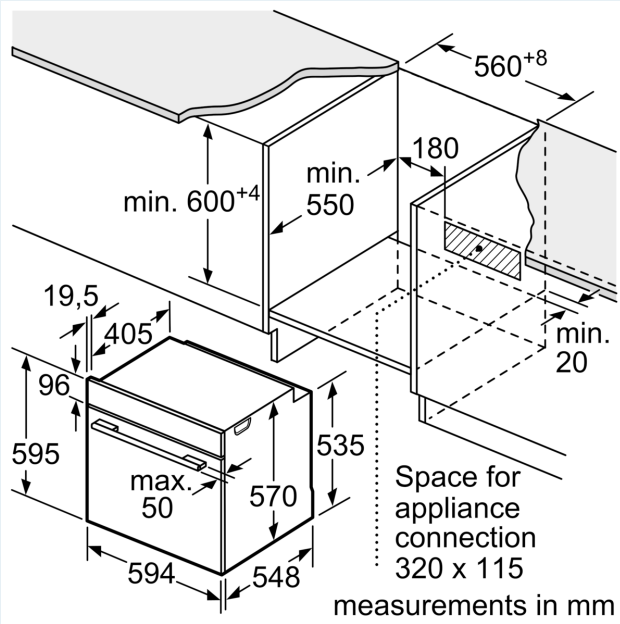
Technical information

- Energy efficiency rating (acc. EU Nr. 65/2014): A
- Energy consumption per cycle in conventional mode: 0.99 kWh
- Energy consumption per cycle in fan-forced convection mode: 0.81 kWh
- Number of cavities: Main cavity Heat source: electrical Cavity volume: 71 litres
- Temperature range 30 °C - 275 °C
- Total connected load electric: 3.6 KW
- 120 cm Cable length
- Nominal voltage: 220 - 240 V
- Appliance dimension (hxwx): 595 mm x 594 mm x 548 mm
- Niche dimension (hxwx): 585 mm - 595 mm x 560 mm - 568 mm x 550 mm

- Please refer to the dimensions provided in the installation manual

**iQ500, Built-in oven, 60 x 60 cm,
Stainless steel
HB578A0S6B**

Dimensioned drawings



Installation with a hob.

