



# HOSHIZAKI

## IM-130WNE-HC

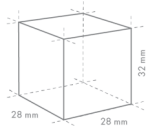
### Cuber, Self Contained

Production Capacity (kg/24h) approx. (AT 10°C, WT 10°C): 110

Storage bin capacity (kg) approx.: 50



ICE TYPE: Large cubes, Standard



Cube Size: **L-STANDARD**  
Weight: 23 g

#### ACCESSORIES INCLUDED

Scoop, legs, installation kit

#### OPTIONAL ACCESSORIES

4HC-H water filtration

#### CORRESPONDING WATER FILTERS

4HC-H Twin Water Filter, 4HC Replacement Cartridge

PRODUCT SERIES: IM  
ITEM NUMBER: M069-D004  
COUNTRY OF ORIGIN: UK

Hoshizaki IM-130WNE-HC is a self-contained water cooled ice maker producing up to 110 kg of cube ice per 24 hours.

Hoshizaki recommends that the water-cooled condenser should be connected to a closed circuit recirculating type cooling system utilizing a tower, water chiller or similar. Water make up should be via a ball valve/break tank arrangement. Whilst connecting a water-cooled condenser to a mains water (potable) supply will not affect the performance of the machine, it will most certainly cause high water use and waste of a valuable resource that is not recommended. It is likely that the connection of such units to the mains water supply may be a contravention of local water authority by-laws.

Ice cube dimensions and weight - disclaimer: The drawing is for illustration purposes only. Cube size and weight may differ due to local installation conditions.

- Ice making system with an automatic rinse cycle
- Each ice cycle is made with fresh water
- Closed Cell System helps produce compact, hard and geometrically perfect ice
- Closed water circuit for contamination protection
- Electronic controller
- System comes with a magnetic water pump that has no direct coupling, which prevents any leakage
- Removable door gasket

#### WARRANTY PERIOD

**2 Years on Parts & Labour**

#### EXTERIOR

Stainless steel AISI 430, Galvanized steel (Rear)

Refrigerant: R290 / Refrigerant (kg): 0.147 / CO2 equivalent (kg): 0.441

#### OPERATING CONDITIONS

Ambient Temp.: 1-40°C, Water Supply Temp.: 5-35°C, Water Supply Pressure: 0.07-0.8MPa (0.7-8bar), Voltage Range: Rated Voltage  $\pm 6\%$

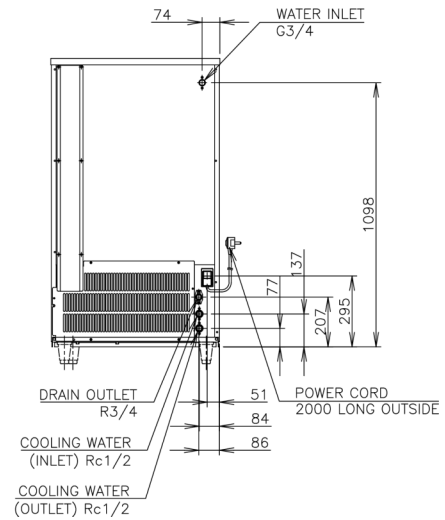
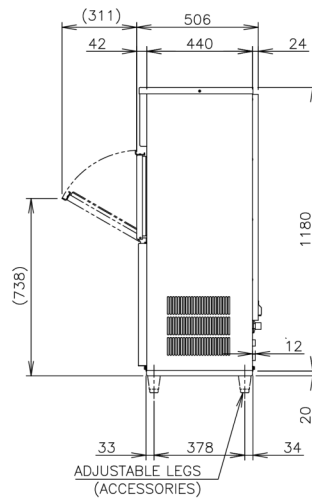
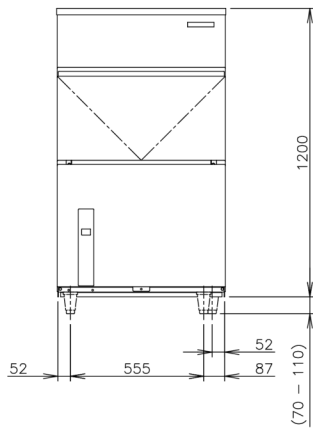
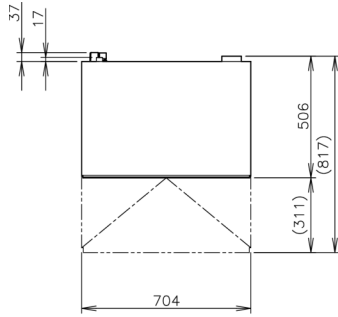
#### CERTIFICATIONS





# HOSHIZAKI

## IM-130WNE-HC



### TECHNICAL SPECIFICATIONS

Cooling System	Production Capacity (kg/24h) approx. (AT 10°C, WT 10°C)	Production Capacity (kg/24h) approx. (AT 21°C WT 15°C)	Production Capacity (kg/24h) approx. (AT 32°C WT 21°C)	Power Supply	Electrical Circuit Breaker Protection (A)	Electric Consumption (kW)	Cooling water at 21°C / max flow rate L/min	Heat Rejection (AT 32°C, WT 21°C) (kW)
Water Cooled	110	100	90	1/220 - 240V/50Hz	5	0.55	0.55	0.93

### SHIPPING SPECIFICATIONS

Dimensions W x D x H (mm), legs excluded	Dimensions of Legs (mm)	Net Weight (kg)	Dimensions, Packed, W x D x H (mm)	Gross Weight, Packed (kg)	Volume Packed (m3)
704 x 506 x 1200	for legs add 70-110mm	74	805 x 580 x 1375	84	0.64

Disclaimer: Every effort has been made to ensure that the information contained in this spec sheet is accurate at the time of publishing. Hoshizaki Europe BV assumes no responsibility or liability for typographical errors or omissions or for any misinterpretation of the information within the publication and reserves the right to change without notice.

Please observe: This type of icemaker is on special order only. Please take longer lead times into consideration.



Hoshizaki Belgium [info@hoshizaki.be](mailto:info@hoshizaki.be)  
 Hoshizaki Danmark [info@hoshizaki.dk](mailto:info@hoshizaki.dk)  
 Hoshizaki Deutschland [vertrieb@hoshizaki.de](mailto:vertrieb@hoshizaki.de)  
 Hoshizaki France [info@hoshizaki.fr](mailto:info@hoshizaki.fr)  
 Hoshizaki Iberia [info@hoshizaki.es](mailto:info@hoshizaki.es)  
 Hoshizaki Italia [commerciale@hoshizaki.it](mailto:commerciale@hoshizaki.it)  
 Hoshizaki Middle East [sales.ex@hoshizaki-europe.com](mailto:sales.ex@hoshizaki-europe.com)

Hoshizaki Netherlands [info@hoshizaki.nl](mailto:info@hoshizaki.nl)  
 Hoshizaki Norge [salg@hoshizaki.no](mailto:salg@hoshizaki.no)  
 Hoshizaki Sverige [orderSE@hoshizaki.dk](mailto:orderSE@hoshizaki.dk)  
 Hoshizaki UK [uksales@hoshizaki.uk](mailto:uksales@hoshizaki.uk)  
 Export countries [sales.ex@hoshizaki-europe.com](mailto:sales.ex@hoshizaki-europe.com)  
 Other countries [sales.ex@hoshizaki-europe.com](mailto:sales.ex@hoshizaki-europe.com)

[www.hoshizaki-europe.com](http://www.hoshizaki-europe.com)