



HOSHIZAKI

IM-240XNE-HC-23

Cuber, Modular

Production Capacity (kg/24h) approx. (AT 10°C, WT 10°C): 180



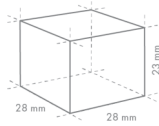
PRODUCT SERIES: IM
ITEM NUMBER: M071-D104
COUNTRY OF ORIGIN: UK

Hoshizaki IM-240XNE-HC-23 is modular and stackable (extension) ice maker producing up to 180 kg of cube ice per 24 hours. This model is compatible with our storage bins.

Ice cube dimensions and weight - disclaimer: The drawing is for illustration purposes only. Cube size and weight may differ due to local installation conditions.

- Ice making system with an automatic rinse cycle
- Each ice cycle is made with fresh water
- Closed water circuit for contamination protection
- Closed Cell System helps produce compact, hard and geometrically perfect ice
- Electronic controller
- System comes with a magnetic water pump that has no direct coupling, which prevents any leakage
- Cleanable air filter
- Stainless steel frame inside

ICE TYPE: Medium cubes - 23



Cube Size: **M-23**
Weight: 17 g

WARRANTY PERIOD
2 Years on Parts & Labour

EXTERIOR
Stainless steel AISI 430, Galvanized steel (Rear)

Refrigerant: R290 / Refrigerant (kg): 0.147 / CO2 equivalent (kg): 0.441

OPERATING CONDITIONS
Ambient Temp.: 1-40°C, Water Supply Temp.: 5-35°C, Water Supply Pressure: 0.07-0.8MPa (0.7-8bar), Voltage Range: Rated Voltage ±6%

ACCESSORIES INCLUDED
Scoop, installation kit, ice chute

OPTIONAL ACCESSORIES
4HC-H water filtration

CORRESPONDING WATER FILTERS
4HC-H Twin Water Filter, 4HC Replacement Cartridge

CORRESPONDING BIN(S)
B-340SA, F-1025-52S, F-650-44S, F-950-48S

CORRESPONDING TOP KITS
TK-48 for B-340SA (optional, not required), TK-IMD2 for B-340SA

CERTIFICATIONS



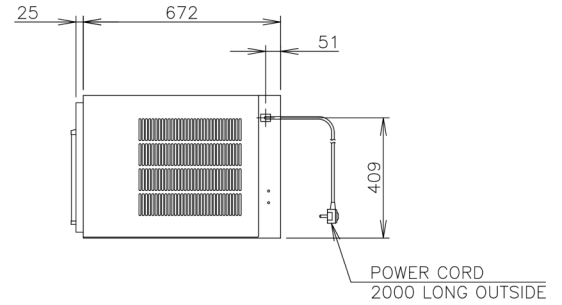
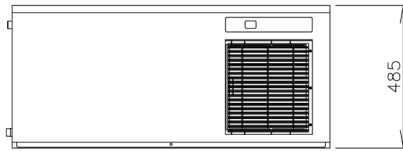
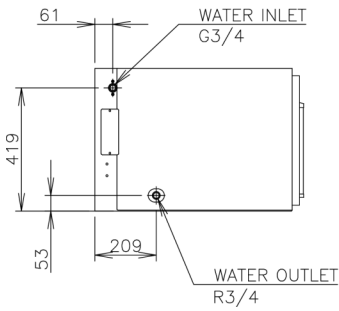
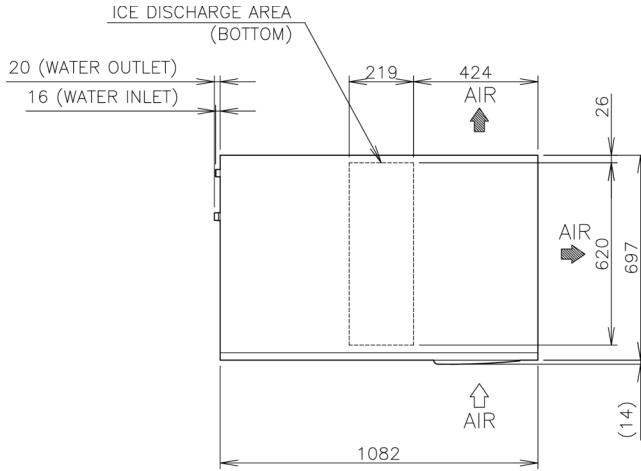






HOSHIZAKI

IM-240XNE-HC-23



TECHNICAL SPECIFICATIONS

Cooling System	Production Capacity (kg/24h) approx. (AT 10°C, WT 10°C)	Production Capacity (kg/24h) approx. (AT 21°C WT 15°C)	Production Capacity (kg/24h) approx. (AT 32°C WT 21°C)	Power Supply	Electrical Circuit Breaker Protection (A)	Electric Consumption (kW)	Water Consumption (m ³ /24h) approx. (AT 10°C WT 10°C)	Heat Rejection (AT 32°C, WT 21°C) (kW)
Air Cooled	180	175	155	1/220 - 240V/50Hz	5	0.93	0.72	2.33

SHIPPING SPECIFICATIONS

Dimensions W x D x H (mm)	Net Weight (kg)	Dimensions, Packed, W x D x H (mm)	Gross Weight, Packed (kg)	Volume Packed (m ³)
1082 x 697 x 485	78	1196 x 825 x 640	93	0.63

Disclaimer: Every effort has been made to ensure that the information contained in this spec sheet is accurate at the time of publishing. Hoshizaki Europe BV assumes no responsibility or liability for typographical errors or omissions or for any misinterpretation of the information within the publication and reserves the right to change without notice.



HOSHIZAKI

Hoshizaki Belgium
 Hoshizaki Danmark
 Hoshizaki Deutschland
 Hoshizaki France
 Hoshizaki Iberia
 Hoshizaki Italia
 Hoshizaki Middle East

info@hoshizaki.be
info@hoshizaki.dk
vertrieb@hoshizaki.de
info@hoshizaki.fr
info@hoshizaki.es
commerciale@hoshizaki.it
sales.ex@hoshizaki-europe.com

Hoshizaki Netherlands info@hoshizaki.nl
 Hoshizaki Norge salg@hoshizaki.no
 Hoshizaki Sverige orderSE@hoshizaki.dk
 Hoshizaki UK uksales@hoshizaki.uk
 Export countries sales.ex@hoshizaki-europe.com
 Other countries sales.ex@hoshizaki-europe.com

www.hoshizaki-europe.com