

**Series 6, American side by side,
178.7 x 90.8 cm, Brushed steel
anti-fingerprint
KAD93AIERG**



**The NoFrost side-by-side fridge-freezer
with indoor electronics: provides a
modern door display**

- **XXL capacity:** extra space for your food when you need it.
- **Ice dispenser:** Mains water connection to ensure ice cubes are always ready when you need them.
- **No Frost:** never defrost again, thanks to perfect protection from ice formation - that saves time and effort.
- **Multi Airflow System:** even air distribution for longer freshness.
- **LED lighting:** all your items in perfect view.

| | |
|--|-----------------------------------|
| Energy Efficiency Class: | E |
| Average annual energy consumption in kilowatt hour per year (kWh/a): | 323 kWh/annum |
| Sum of volume of frozen compartments: | 191 l |
| Sum of volume of chill compartments: | 371 l |
| Airborne acoustical noise emissions : | 42 dB(A) re 1pW |
| Airborne acoustical noise emission class: | D |
| Built-in / Free-standing: | Freestanding |
| Door panel options: | Not possible |
| Height: | 1787 mm |
| Width of the appliance: | 908 mm |
| Depth: | 707 mm |
| Net weight: | 113.2 kg |
| Connection rating: | 240 W |
| Fuse protection: | 10 A |
| Door hinge: | left and right |
| Voltage: | 220-240 V |
| Frequency: | 50 Hz |
| Length electrical supply cord: | 170.0 cm |
| Number of compressors: | 1 |
| Number of independent cooling systems: | 1 |
| Interior ventilator: | No |
| Reversible Door Hinge: | No |
| Number of Adjustable Shelves in fridge compartment: | 0 |
| Shelves for Bottles: | Yes |
| EAN code: | 4242005473274 |
| Brand: | Bosch |
| Product name / Commercial code: | KAD93AIERG |
| Frost free system: | Fridge and freezer |
| Installation typology: | Free-standing |
| Included accessories: | 1 x connection hose, 1 x egg tray |



Series 6, American side by side, 178.7 x 90.8 cm, Brushed steel anti-fingerprint KAD93AIERG

The NoFrost side-by-side fridge-freezer with indoor electronics: provides a modern door display

- No Frost, American-style fridge freezer
- High-door design Stainless Steel EasyClean

Performance and Consumption

- EU19_EEK_D: E
- Total Volume : 562 l
- Annual Energy Consumption: 323 kWh/a
- Noise Level : 42 dB , EU19_Noise emission class_D: D

Functions

- Stainless Steel EasyClean doors and grey side panels
- Aluminium Vertical door handle
- Bright interior LED fridge light

Design features

- In-door electronic LCD display of fridge and freezer temperatures
- Separate temperature control for cooling and freezing section
- Super Cooling: automatic deactivation
- SuperFreezing function with automatic deactivation
- Optical and acoustical

Ice and Water

- Illuminated water and ice dispenser
- Automatic ice cube maker
- Internal water filter

Design features

- Net Fridge Volume : 371 l
- MultiAirflow system - improves circulation of air around the fridge
- 5 safety glass shelves of which 0 are height adjustable
- 3 removable door storage compartments.

Freshness System

- 2 MultiBox drawers on rails - Transparent drawers with a corrugated bottom, ideal for storing fruits and vegetables.

Food freshness system

- Net Freezer Volume : 191 l
- Freezing capacity 24h : 12 kg
- EU19_Fast freezer facility_D
- 2 freezer drawers
- 3 door trays in the freezing compartment

Key features - Fridge section

- 4 height adjustable feet
- Climate Class: SN-T
- Connection Length (water supply):300 cm
- Length of power cord:170 cm

Dimension and installation

- Dimensions: 178.7 cm H x 90.8 cm W x 70.7 cm D

- 220 - 240 V

Key features - Freezer section

- 1 x connection hose, 3 x egg tray

Included accessories

Country Specific Options

- Based on the results of the standard 24-hour test. Actual consumption depends on usage/position of the appliance.

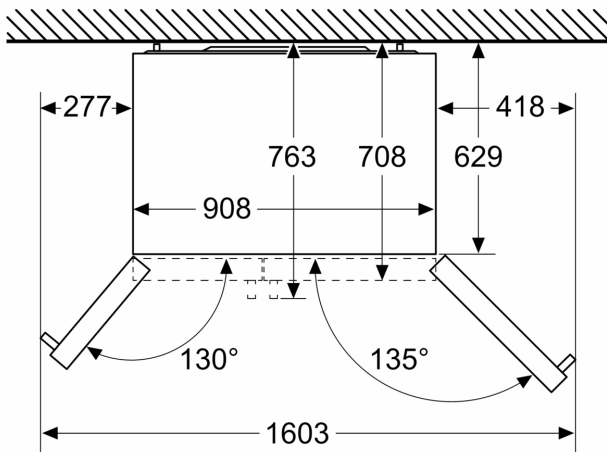
Design features

Dimension and installation

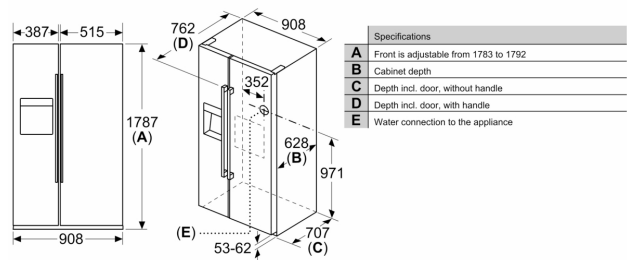
Additional features

**Series 6, American side by side,
178.7 x 90.8 cm, Brushed steel
anti-fingerprint
KAD93AIERG**

Measurements in mm

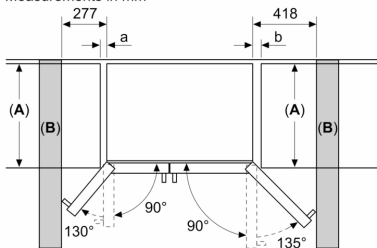


measurements in mm



| Specifications | |
|----------------|---------------------------------------|
| A | Front is adjustable from 1783 to 1792 |
| B | Cabinet depth |
| C | Depth incl. door, without handle |
| D | Depth incl. door, with handle |
| E | Water connection to the appliance |

Measurements in mm



| A | a | b |
|---------------|-----|-----|
| ≤ 600 | 50 | 50 |
| 600 < A ≤ 650 | 50 | 50 |
| 650 < A ≤ 700 | 53 | 96 |
| > 700 | 277 | 418 |

A: Kitchen cabinet or worktop depth
B: Wall
 Drawers can be pulled out with door open to 90°
 Drawers can be taken out with door completely opened