

Series 2, Built-in fridge-freezer with freezer at bottom, 193.5 x 69.1 cm, sliding hinge KBN96NSE1G



KSZGGM00 Butter box

Built-in fridge freezer with XXL capacity and VitaFresh drawer: big boost in fridge capacity and ideal storage conditions for all your food.

- **Built-in XXL:** 45% more volume. Extra wide and extra high for hassle-free storage.
- **VitaFresh XXL:** the extra-large, climate-controlled fridge drawer for fruit and vegetables.
- **No Frost:** never defrost again, thanks to perfect protection from ice formation - that saves time and effort.
- **Eco Airflow:** maintains optimal air circulation and a constant temperature level throughout the cooling area.
- **LED lighting:** all your items in perfect view.

Energy Efficiency Class:	E
Average annual energy consumption in kilowatt hour per year (kWh/a):	256 kWh/annum
Sum of volume of frozen compartments:	98 l
Sum of volume of chill compartments:	285 l
Airborne acoustical noise emissions :	34 dB(A) re 1pW
Airborne acoustical noise emission class:	B
Built-in / Free-standing:	Built-in
Door panel options:	Not possible
Height:	1935 mm
Width of the appliance:	691 mm
Depth:	548 mm
Required niche size for installation (HxWxD): ...	1940 x 710 x 560 mm
Net weight:	65.6 kg
EAN code:	4242005529506
Fuse protection:	10 A
Door hinge:	Right reversible
Voltage:	220-240 V
Frequency:	50 Hz
Length electrical supply cord:	230.0 cm
Number of compressors:	1
Number of independent cooling systems:	2
Interior ventilator:	No
Reversible Door Hinge:	Yes
Number of Adjustable Shelves in fridge compartment:	4
Shelves for Bottles:	No
Frost free system:	Freezer
Installation typology:	Integrated



Series 2, Built-in fridge-freezer with freezer at bottom, 193.5 x 69.1 cm, sliding hinge KBN96NSE1G

Built-in fridge freezer with XXL capacity and VitaFresh drawer: big boost in fridge capacity and ideal storage conditions for all your food.

- KBN96NSE1G
- NoFrost freezer, Built-in fridge-freezer
- Sliding hinge, softClosing door: No

Performance and Consumption

- EU19_EEK_D: E
- Total Volume : 383 l
- Net Fridge Volume : 285 l
- Net Freezer Volume : 98 l
- Annual Energy Consumption: 256 kWh/a
- Noise Level : 34 dB , EU19_Noise emission class_D: B

Functions

- Bright interior LED fridge light in fridge section
- Built-in fridge-freezer

Design features

- NO_FROST_NEU_BL, never have to defrost ever again
- EU19_Fast freezer facility_D
- Wi-Fi connectivity
- Home Connect: iService Remote, Remote Monitoring and Control with Wi-Fi connectivity
- Separate, electronic temperature control with LED display
- Super Cooling: automatic deactivation
- Optical and accoustical
- Automatic defrost fridge

Design features

- 5 safety glass shelves of which 4 are height adjustable
- Door shelves in fridge door: 1 large and 3 small.

Freshness System

- 1 VitaFresh drawer with humidity control - Fruits and vegetables retain vitamins and stay fresh for longer

Food freshness system

- Freezing capacity 24h : 9.5 kg
- Temperature rise time : EU19_Temperature rise time_D: 12 H
- 3 freezer drawers

Dimension and installation

- Dimensions: 193.5 cm H x 69.1 cm W x 54.8 cm D
- Niche Dimensions: 194 cm H x 71 cm W x 56 cm D

Key features - Fridge section

- Right hinged door, door reversible
- Height adjustable front feet
- Length of power cord:230 cm
- Climate Class: SN-ST
- 220 - 240 V

Key features - Freezer section

- 1 x ice cube tray

Country Specific Options

- Based on the results of the standard 24-hour test. Actual consumption depends on usage/position of the appliance.

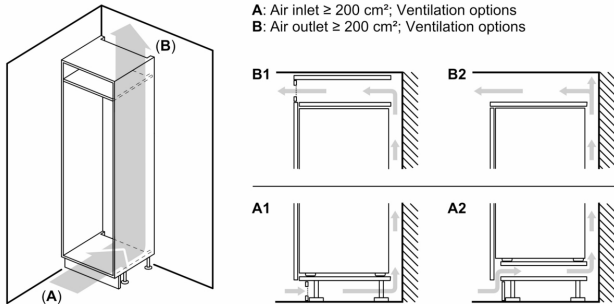
Design features

Dimension and installation

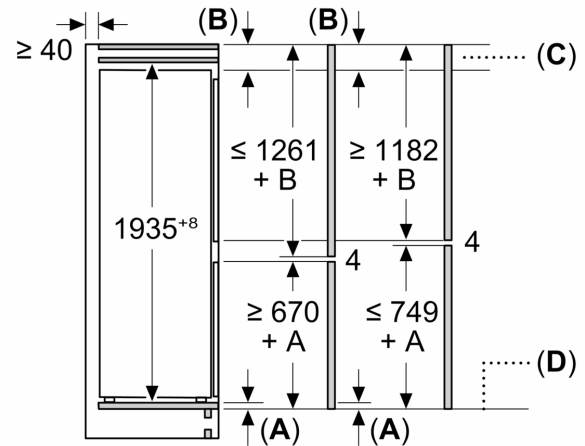
Additional features

- none

**Series 2, Built-in fridge-freezer with
freezer at bottom, 193.5 x 69.1 cm,
sliding hinge
KBN96NSE1G**



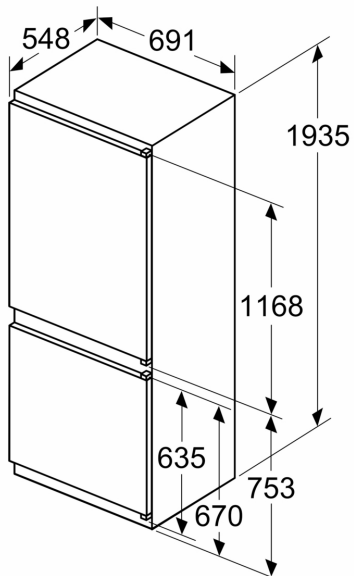
Measurements in mm



C: Front panel overhang

D: Lower edge of front panel

Measurements in mm



Measurements in mm

