

iQ300, Wall-mounted cooker hood, 60 cm, Stainless steel LC67BHM50B



B

Box design extractor hood with high extraction rate.

- ✓ LED lights: for optimal visibility and ambience while cooking.
- ✓ touchControl: quickly and easily manage the power levels and the LED light

Typology:	Wall-mounted
Length electrical supply cord:	130.0 cm
Height of the chimney:	583-912/583-1022 mm
Height of the appliance:	53 mm
Minimum distance above an electric hob:	550 mm
Minimum distance above a gas hob:	650 mm
Weight:	12.3 kg
Control panel:	Electronic
Number of speed settings:	3-stages + intensive setting
Maximum output air extraction:	459 m³/h
Boost position output recirculating:	499 m³/h
Maximum output recirculating air:	404 m³/h
Boost position air extraction:	752 m³/h
Maximum Air flow:	459 m³/h
Number of lights:	2
Noise level:	64 dB(A) re 1 pW
Diameter of air outlet:	120 / 150 mm
Grease filter material:	Washable stainless steel
EAN code:	4242003811115
Connection Rating:	255 W
Fuse protection:	10 A
Nominal power:	220-240 V
Frequency:	50; 60 Hz
Plug type:	GB plug
Installation type:	Wall-mounted



LZ11DXI16 Clean Air Plus recirculation kit, LZ11FXC56 Clean Air Plus recirc. kit external, LZ11FXD51 Long Life recirculation kit external, LZ12250 Chimney extension 1000 mm, LZ12350 Chimney extension 1500 mm, LZ31XXB16 Clean Air Plus odor filter (replacement), LZ50660 Backboard 60 x 65 cm, LZ50661 Backboard 60 x 72 cm, LZ00XXP00 Long Life odor filter (replacement), LZ10DXA00 Standard odor filter (replacement), LZ10DXU00 Standard recirculation kit, LZ10FXJ00 Long Life recirculation kit, LZ11DXB14 Clean Air Standard odor filter (repl.), LZ11DXI14 Clean Air Standard recirculation kit

iQ300, Wall-mounted cooker hood, 60 cm, Stainless steel LC67BHM50B

Key performance features:

- Energy Efficiency Class: B (at a range of energy efficiency classes from A+++ to D)
- Extraction rate according to EN 61591 ø 15 cm:
- max. Normal use: 458 m³/h
- Intensive: 752 m³/h
- Noise max. Normal Level: Noise, max. speed in normal use: 64 dB dB*

Features

- touchControl for extractor speeds and light
- touchControl with Electronic display
- 3 x power levels plus intensive setting
- Twin channel high performance fan motor
- 2 x 1.5W LED
- Colour Temperature: 3500 K
- Automatic intensive revert (6mins)
- 2 x metal grease filter cassettes
- Steel filter cover
- Installation: wall

Design

- Chimney hood
- Electronic control

Performance/technical information

- Suitable for ducted and re-circulating operation
- For recirculated extraction a recirculating kit or a CleanAir recirculation kit (accessory) is needed
- Max. extraction rate: 752 m³/h
- Noise level according to EN 60704-3 and EN 60704-2-13 exhaust air:
- Max. normal use: 64 dB(A) re 1 pW
- Intensive: 73 dB(A) re 1 pW
- With the Clean Air Plus recirculation kit (available as optional accessory) your appliances reaches:
- Extraction rate in recirculation mode: Max. normal use: 404 m³/h
- Intensive: 499 m³/h
- Noise level in recirculation mode: Max. normal use: 72 dB(A) re 1 pW
- Intensive: 76 dB(A) re 1 pW
- Power rating: 255 W
- Light Intensity: 242 lux
- Electrical cable length 1.3 m
- Diameter pipe Ø 150 mm (Ø 120 mm enclosed)
- Dimensions exhaust air (HxWxD): 635-965 x 600 x 500 mm
- Dimensions recirculating, chimney (HxWxD): 635-1075 x 600 x 500 mm
- Dimensions recirculating with CleanAir module (HxWxD):
- 703 x 600 x 500 mm - mounting with outer chimney
- 833-1163 x 600 x 500 mm - mounting with telescopic chimney
- Blower Efficiency Class: B*
- Lighting Efficiency Class: A*

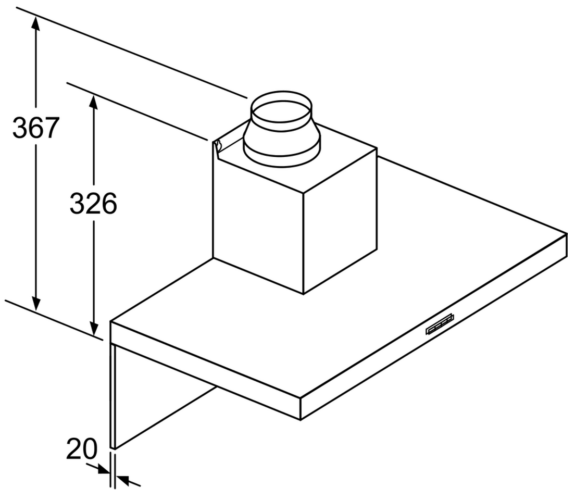
- Grease Filtering Efficiency Class: B*
- Average Energy Consumption: 60.3 kWh/year*

Optional accessories

- Recirculating kit LZ11DXI16

* In accordance with the EU-Regulation No 65/2014

**iQ300, Wall-mounted cooker hood, 60 cm, Stainless steel
LC67BHM50B**



If a back panel is used, the design of the appliance must be considered. measurements in mm

