

## iQ300, Wall-mounted cooker hood, 60 cm, clear glass black printed LC67KFN60B



A+



|           |  |
|-----------|--|
| LZ10BXK61 | Chimney extension 1000 mm                |
| LZ10BXL61 | Chimney extension 1500 mm                |
| LZ11KKB16 | Clean Air Plus odor filter (replacement) |
| LZ11KKI16 | Clean Air Plus recirculation kit         |
| LZ11KKV16 | Clean Air Plus recirc. kit (chimless)    |

The Inclined Hood with high performant iQdrive motor and intelligent hood automatic for an automatically odor-and noise-free kitchen.

- ✓ iQdrive motor - The quiet, high-performance motor ensures efficient removal of odours and steam.
- ✓ iQdrive motor keeps your kitchen quiet and vapour free.
- ✓ cookConnect – Use your hob to control your extractor hood's power level and lighting.
- ✓ voiceControl – Control hood functions and lighting using your voice.
- ✓ Home Connect – The app that makes your hood work smarter.

|   |                              |
|---|------------------------------|
| Typology:                               | Wall-mounted                 |
| Length electrical supply cord:          | 130.0 cm                     |
| Height of the chimney:                  | 420-663/457-750 mm           |
| Height of the appliance:                | 320 mm                       |
| Minimum distance above an electric hob: | 450 mm                       |
| Minimum distance above a gas hob:       | 650 mm                       |
| Weight:                                 | 11.9 kg                      |
| Control panel:                          | Electronic                   |
| Number of speed settings:               | 3-stages + intensive setting |
| Maximum output air extraction:          | 431 m³/h                     |
| Boost position output recirculating:    | 687 m³/h                     |
| Maximum output recirculating air:       | 427 m³/h                     |
| Boost position air extraction:          | 768 m³/h                     |
| Maximum Air flow:                       | 431 m³/h                     |
| Number of lights:                       | 2                            |
| Noise level:                            | 56 dB(A) re 1 pW             |
| Diameter of air outlet:                 | 150 mm                       |
| Grease filter material:                 | Washable aluminium           |
| EAN code:                               | 4242003938423                |
| Connection Rating:                      | 140 W                        |
| Fuse protection:                        | 10 A                         |
| Nominal power:                          | 220-240 V                    |
| Frequency:                              | 50; 60 Hz                    |
| Plug type:                              | GB plug                      |
| Installation type:                      | Wall-mounted                 |
| Delay Shut off modes:                   | 10 min                       |



## iQ300, Wall-mounted cooker hood, 60 cm, clear glass black printed LC67KFN60B

### Design:

- Angled design
- wall-mounted
- Black glass
- Suitable for ducted and re-circulating operation
- In recirculation operation chimless use possible
- For recirculation operation Clean Air Plus recirculation kit (accessory) needed.

### Core Features:

- Efficient BLDC motor
- 2 PC, LED, 3W, with Colour temperature adjustable
- softLight with dimmer function : the lighting elements switch on and off smoothly.
- softLight with dimmer function : the brightness of the lighting elements can be adjusted.
- Colour Temperature: 3500 K
- Light Intensity: 502 lux
- 2 capture areas: front side and bottom side
- 2 metal grease filter(s).

### Comfort Features:

- 3 x power levels plus intensive setting
- Automatic reset from intensive to normal setting after 6 min.
- Automatic after running (10 minutes)

### Digital Features:

- Home Connect: operate, monitor and set preferences of your hood via smartphone or tablet (only in countries where Home Connect service is available)
- cookConnect hob based hood control: automatically activates the hood when cooking, thanks to the WiFi connection of hood and suitable hob.
- based on hob-hood connection: Hood automatically adapts fan speed thanks to hob continuously providing cooking data (with matching hob and connected Home Connect account)
- fully automatic hood
- Voice Control enabled via popular voice assistants (only in countries where this service is available)
- Performance Profiles: choose between standard, performance or silence profiles to increase the extraction rate or reduce the fan noise via Home Connect App
- LED light with adjustable light temperature: Allows you to adapt the light temperature to your personal needs via Home Connect App
- Saturation indicator, set and reset function for grease filter and odor filter available via Home Connect app.
- After run function: available via Home Connect App
- Interval function: available via Home Connect App
- The Home Connect functionality can be extended by integrating numerous applications from external cooperation partners (partnerships)

- Updateable appliance (available with connected Home Connect account): keep appliance always up to date with latest status of software.

### Cleaning Comfort:

- Large opening angle of the glass plate with locking function for an easy filter accessibility and easy cleaning.
- Easy to clean smooth surfaces and materials.
- Steel filter cover dishwasher-safe

### Performance Exhaust:

- According to EN 61591 and EN/ IEC 60704-2-13 your appliance can achieve the following values in exhaust mode: Speed 1: extraction rate 223 m<sup>3</sup>/h; noise level 39 dB (A) re1pW Speed 2: extraction rate 319 m<sup>3</sup>/h; noise level 48 dB (A) re1pW Speed 3: extraction rate 431 m<sup>3</sup>/h; noise level 56 dB (A) re1pW Intensive 1: extraction rate 768 m<sup>3</sup>/h; noise level 68 dB (A) re1pW
- Energy Efficiency Class: A+ (at a range of energy efficiency classes from A+++ to D)
- Average Energy Consumption: 31.7 kWh/year\*
- Blower Efficiency Class: A\*
- Lighting Efficiency Class: A\*
- Grease Filtering Efficiency Class: C\*

### Performance Recirculation:

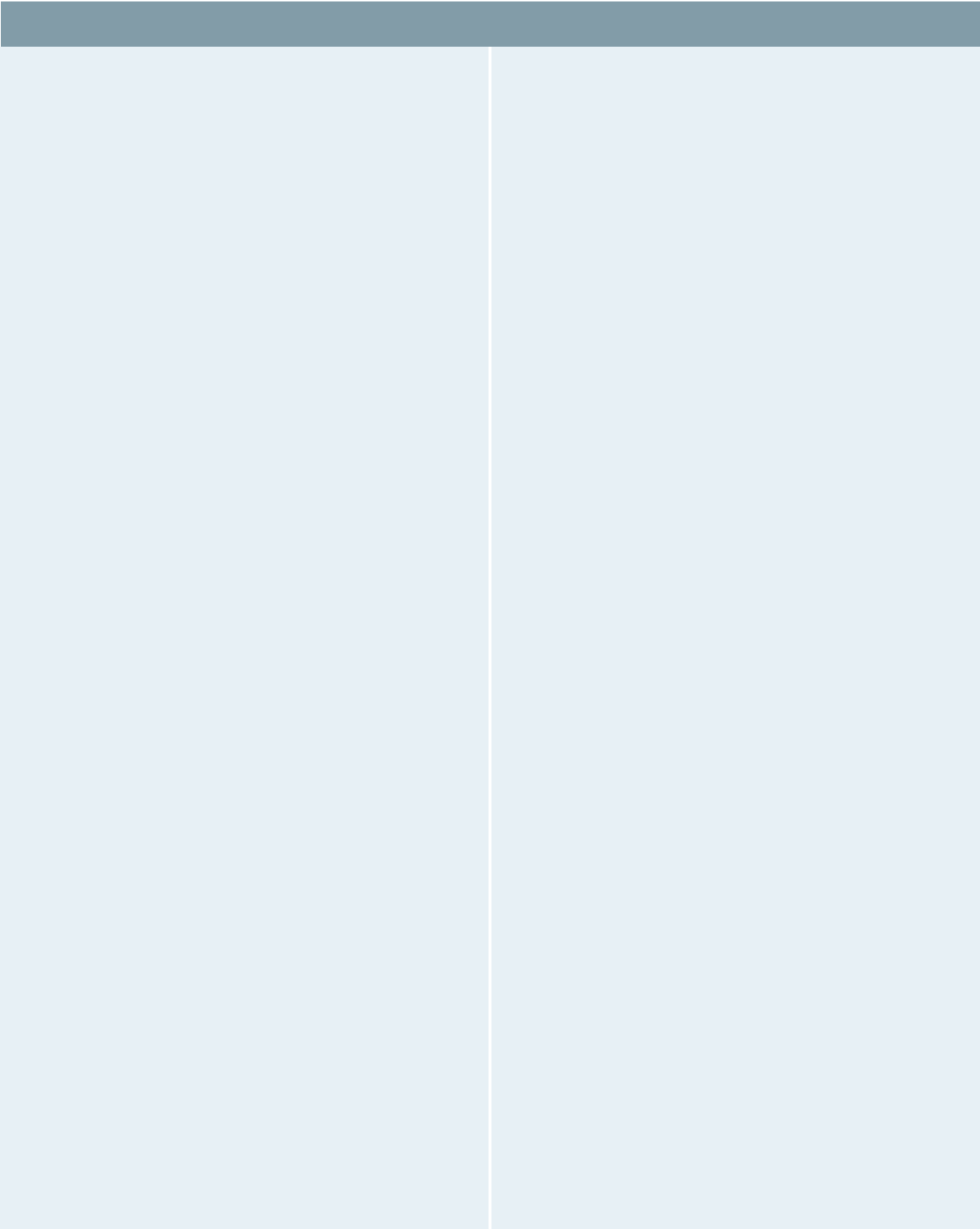
- According to EN 61591 and EN/ IEC 60704-2-13 your appliance can achieve the following values in recirculation mode with Clean Air plus recirculation kit, for installation with chimney (available as optional accessory): Speed 1: extraction rate 208 m<sup>3</sup>/h; noise level 47 dB (A) re1pW Speed 2: extraction rate 309 m<sup>3</sup>/h; noise level 54 dB (A) re1pW Speed 3: extraction rate 429 m<sup>3</sup>/h; noise level 62 dB (A) re1pW Intensive Speed 1: extraction rate 724 m<sup>3</sup>/h; noise level 74 dB (A) re1pW)

### Technical Information and Sustainability:

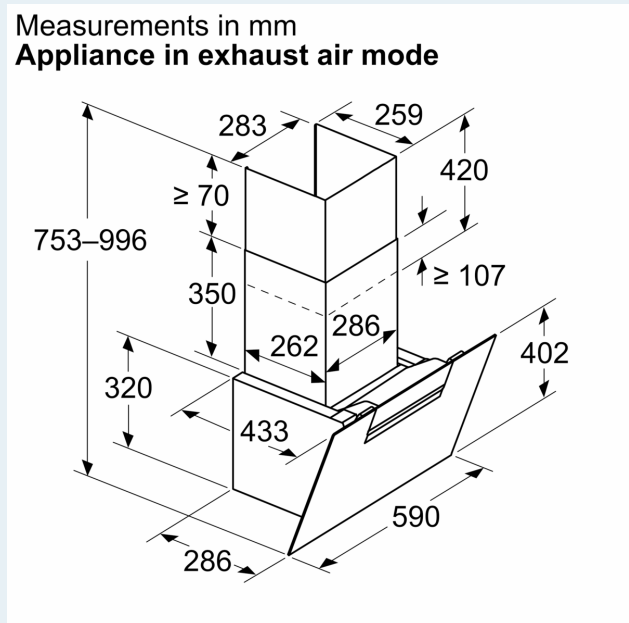
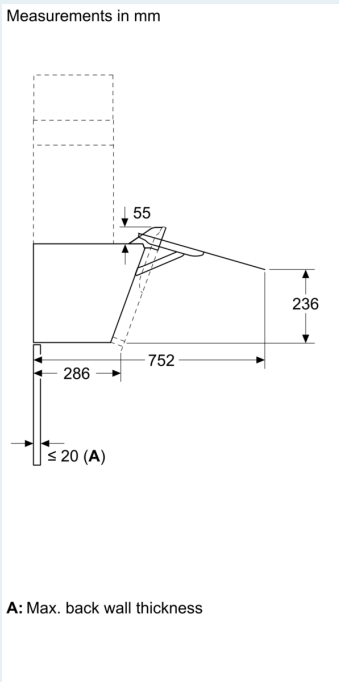
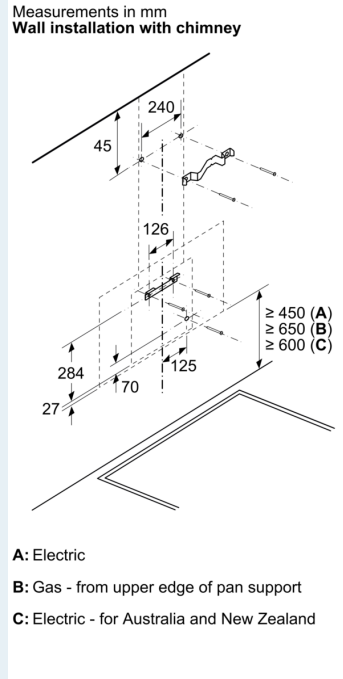
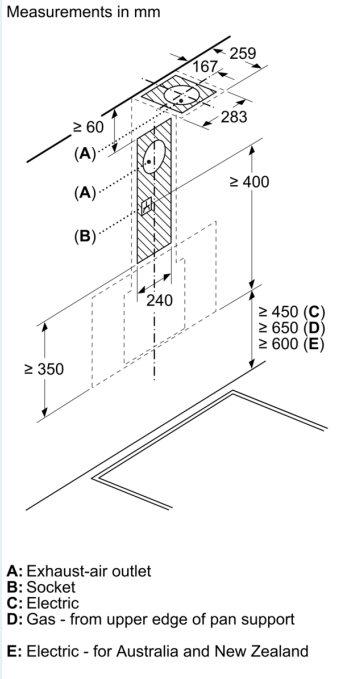
- Consumption data:
- Voltage: Nominal voltage: 220 - 240 V
- Power rating: 140 W
- Sustainability:
- Made in Germany: produced at a CO2 neutral production site
- Environmentally friendly packaging
- Most efficient blower technology available on the market

### Planning and Installation Information:

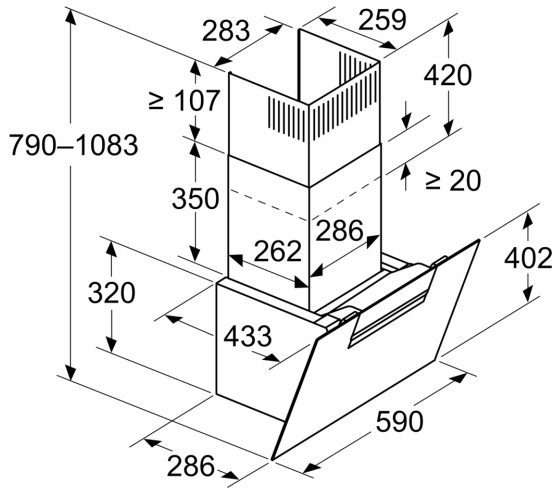
- Dimensions exhaust air (HxWxD): 753-996 x 590 x 433 mm
- Dimensions recirculating (HxWxD): 790-1083 x 590 x 433 mm
- Dimensions recirculating installation, chimless (HxWxD): 360 mm x 590 mm
- x 433 mm
- Diameter pipe Ø 150 mm (Ø 150 mm enclosed)
- Electrical cable length 1.3 m



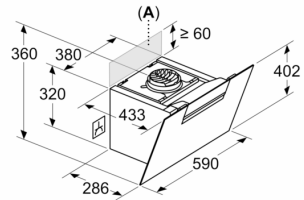
**iQ300, Wall-mounted cooker hood, 60 cm, clear glass black printed LC67KFN60B**



Measurements in mm  
**Appliance in circulated air mode**



Measurements in mm  
**Appliance in circulated air mode without duct**



Socket can be fitted to the side of or above the appliance

A: Socket only outside the marked area