

**iQ700, Downdraft hood, 90 cm,
clear glass
LD98WMM60B**



The seamlessly designed glassdraftAir is only visible when in use, with an impressive performance thanks to the new Guided Air technology.

- ✓ iQdrive motor - The quiet, high-performance motor ensures efficient removal of odours and steam.
- ✓ iQdrive motor keeps your kitchen quiet and vapour free.
- ✓ cookConnect – Use your hob to control your extractor hood's power level and lighting.
- ✓ voiceControl – Control hood functions and lighting using your voice.
- ✓ Home Connect – The app that makes your hood work smarter.

Optional accessories

HZ9VDSB1 90° flat duct bend horizontal, HZ9VDSB2 90° flat duct L vertical, HZ9VDSI0 Adapter round-flat, HZ9VDSI1 90° Adapter round-flat, HZ9VDSM1 Straight tube 500mm, HZ9VDSM2 Straight tube 1000mm, HZ9VDS1 Connector sleeve (female), LZ21WWB16 Clean Air Plus odor filter (replacement), LZ21WWI17 Clean Air Plus recirculation kit, LZ21WWJ12 Long Life recirculation kit, LZ21WWM11 Installation kit remote motor, LZ29WWY12 Mounting kit for seamless installation, LZ31WWX11 Flat duct adapt.round 90° DN150 Metal, LZ31XXX11 Aluflex pipe cyl. 150

Features

Technical Data

Typology: Downdraft
 Length electrical supply cord: 130.0 cm
 Min. required niche size for installation (HxWxD): 703mm x 854.0mm x 123mm mm
 Weight: 38.4 kg
 Control panel: Electronic
 Number of speed settings: 3-stage + 2 intensive
 Maximum output air extraction: 519 m³/h
 Boost position output recirculating: 596 m³/h
 Maximum output recirculating air: 456 m³/h
 Boost position air extraction: 833 m³/h
 Maximum Air flow: 519 m³/h
 Noise level: 62 dB(A) re 1 pW
 Diameter of air outlet: 150 mm
 Grease filter material: Washable stainless steel
 EAN code: 4242003907122
 Connection Rating: 300 W
 Fuse protection: 10 A
 Nominal power: 220-240 V
 Frequency: 50; 60 Hz
 Plug type: GB plug
 Installation type: Built-in
 Delay Shut off modes: 10 min



iQ700, Downdraft hood, 90 cm, clear glass LD98WMM60B

Features

Connectivity

- Home Connect: Remote Monitoring and Control for connected home appliances and operation via smartphone or tablet (only in countries where Home Connect service is available)
- The Home Connect functionality can be extended by integrating numerous applications from external cooperation partners (partnerships)
- Voice Control enabled via popular voice assistants (only in countries where this service is available)
- Interval function: available via Home Connect
- Silence function: available via Home Connect

Features

- Fully automatic hood
- cookConnect hob based hood control
- climateControl Sensor
- 3 power levels and 2 intensive settings
- touchControl
- The standard functions are located on the right-hand user interface
- Efficient BLDC motor
- Automatic intensive revert (6mins)
- Automatic after running (Automatic after running (10 minutes))
- 2 x metal grease filter cassettes
- Grease and charcoal filter saturation indicators
- The filter service button automatically lifts filters into service position for easy removal

Design

- 90 cm wide
- Installation: integrated
- The glass panel can be easily removed and cleaned
- Suitable for installation in an island or Semi-island kitchen solution

Performance

- Suitable for ducted and re-circulating operation
- For recirculated extraction Clean Air Plus recirculation kit (accessory) needed
- Extraction rate according to EN 61591 ø 15 cm:
- max. Normal use: 519 m³/h
- Intensive: 833 m³/h
- Noise level according to EN 60704-3 and EN 60704-2-13 exhaust air:
- Max. normal use: 62 dB(A) re 1 pW
- Intensive: 71 dB(A) re 1 pW
- With the Clean Air Plus recirculation kit (available as optional accessory) your appliances reaches:
- Extraction rate in recirculation mode: Max. normal use: 456 m³/h
- Intensive: 596 m³/h
- Noise level in recirculation mode: Max. normal use: 66 dB(A) re 1 pW
- Intensive: 71 dB(A) re 1 pW

Planning and installation information

- Extension height 250 mm

- Dimensions (HxWxD): 709 x 912 x 140 mm
- Built-in dimensions (HxWxD): 703 x 854 x 123 mm
- Extractor hose 150 mm
- Electrical cable length 1.3 m
- Please reference the built-in dimensions provided in the installation drawings
- Not suitable for combination with gas hobs

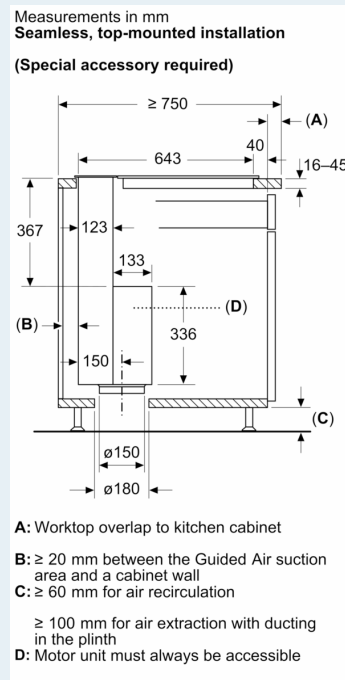
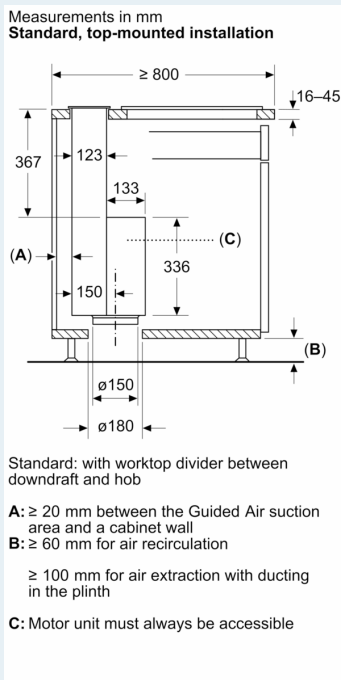
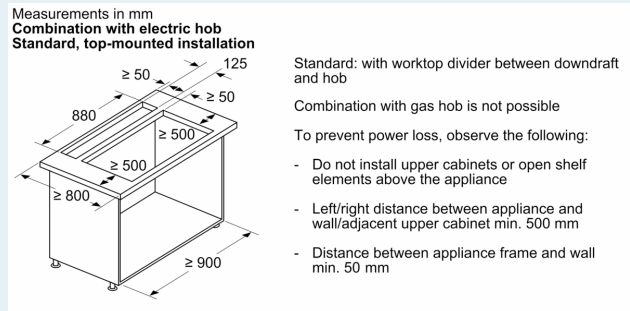
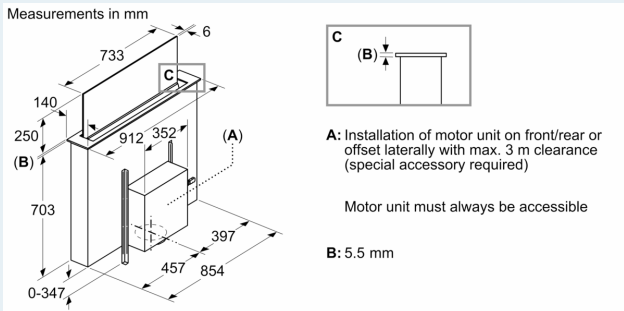
Consumption Data

- Energy Efficiency Class: A (at a range of energy efficiency classes from A+++ to D)
- Power rating: 300 W
- Average Energy Consumption: 37.8 kWh/year*
- Blower Efficiency Class: A*
- Lighting Efficiency Class: -*
- Grease Filtering Efficiency Class: C*

* In accordance with the EU-Regulation No 65/2014

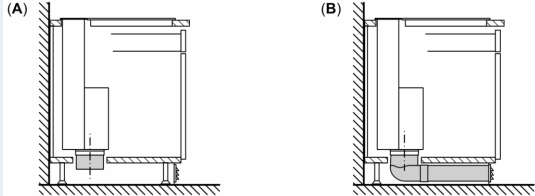
iQ700, Downdraft hood, 90 cm, clear glass LD98WMM60B

Dimensioned drawings



Dimensioned drawings

Planning recommendation, air recirculation



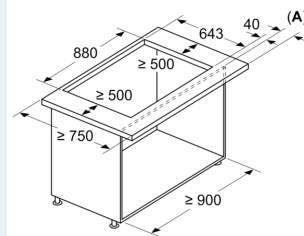
A: Exterior wall – U-value $\leq 0.5 \text{ W/(m}^2\text{K)}$

Standard installation: Partially laid around the toe kick

B: Exterior wall – U-value $> 0.5 \text{ W/(m}^2\text{K)}$

Installation with fully laid pipework to the toe kick for poorly insulated exterior walls or above cold floors

Measurements in mm Combination with electric hob Seamless, top-mounted installation



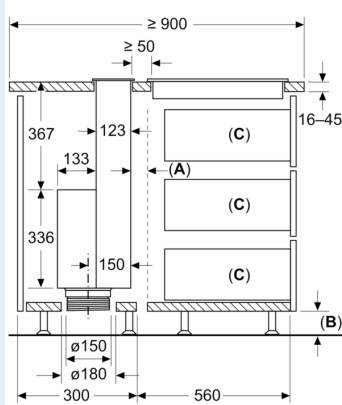
A: Worktop overlap to kitchen cabinet

Combination with gas hob is not possible

To prevent power loss, observe the following:

- Do not install upper cabinets or open shelf elements above the appliance
- Left/right distance between appliance and wall/adjacent upper cabinet min. 500 mm
- Distance between appliance frame and wall min. 50 mm

Measurements in mm Standard, top-mounted installation



Standard: with worktop divider between downdraft and hob

A: Ventilation gap for hob

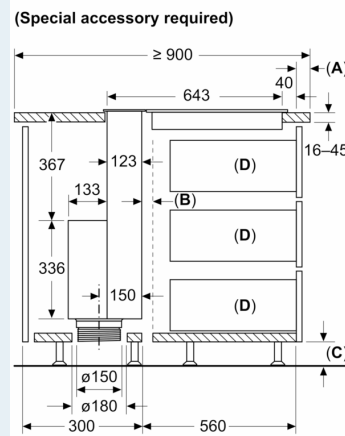
B: $\geq 60 \text{ mm}$ for air recirculation

$\geq 100 \text{ mm}$ for air extraction with ducting in the plinth

C: Max. pull-out depth

Motor unit must always be accessible

Measurements in mm Seamless, top-mounted installation (Special accessory required)



A: Worktop overlap to kitchen cabinet

B: Ventilation gap for hob

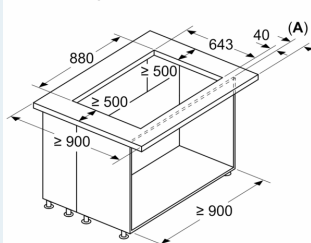
C: $\geq 60 \text{ mm}$ for air recirculation

$\geq 100 \text{ mm}$ for air extraction with ducting in the plinth

D: Max. pull-out depth

Motor unit must always be accessible

Measurements in mm Combination with electric hob Seamless, top-mounted installation



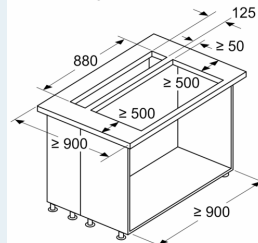
A: Worktop overlap to kitchen cabinet

Combination with gas hob is not possible

To prevent power loss, observe the following:

- Do not install upper cabinets or open shelf elements above the appliance
- Left/right distance between appliance and wall/adjacent upper cabinet min. 500 mm

Measurements in mm Combination with electric hob Standard, top-mounted installation



Standard: with worktop divider between downdraft and hob

Combination with gas hob is not possible

To prevent power loss, observe the following:

- Do not install upper cabinets or open shelf elements above the appliance
- Left/right distance between appliance and wall/adjacent upper cabinet min. 500 mm