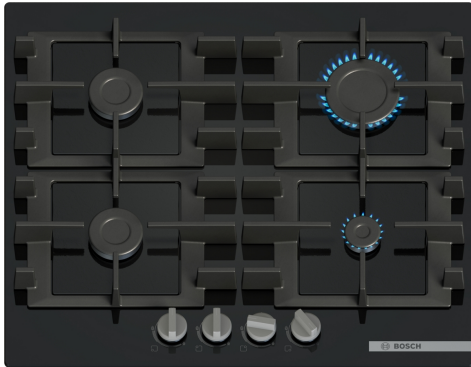


**Series 4, Gas hob, 60 cm, Tempered glass, Black  
PNP6B6K40**



**Optional accessories**

HEZ298105	Simmer plate
HEZ298114	Small pot support
HEZ32WA00	Wireless food thermometer
HEZ9SE040	4 pieces Set
HEZ9SE060	6 pieces Set

**The gas hob with dishwasher suitable cast iron pan supports, Ergonomic sword dials, and a Main Switch for precise control.**

- **Ergonomic sword dials:** with raised center for precise adjustments.
- **Tempered Glass:** for strength and aesthetic.
- **Dishwasher-safe pan supports:** Easy, scrub-free cleaning.
- **Semi-continuous pan supports:** smaller for easy cleaning, yet providing a seamless cooking surface.
- **Safety gas cut-off:** ensures safety by instantly cutting off gas supply if the flame goes out.

**Technical Data**

Appliance type:	..... gas hob w integrated controls
Built-in / Free-standing:	..... Built-in
Heating type:	..... Gas
Number of cooking zones:	..... 4
Type of control setting devices:	..... sword knobs
Required niche size for installation (HxWxD):	45 x 560-560 x 480-490 mm
Width of the appliance:	..... 590 mm
Dimensions:	..... 57.4x590x520 mm
Dimensions of the packed product (HxWxD):	..... 150 x 650 x 580 mm
Net weight:	..... 15.9 kg
Gross weight:	..... 17.1 kg
Residual heat indicator:	..... Separate
Location of control panel:	..... Front
Basic surface material:	..... Tempered glass
Color of surface:	..... Black
Color of frame:	..... Black
Length electrical supply cord:	..... 100.0 cm
EAN code:	..... 4242005437856
Gas connection rating:	..... 7500 W
Fuse protection:	..... 3 A
Voltage:	..... 220-240 V
Frequency:	..... 50; 60 Hz



## **Series 4, Gas hob, 60 cm, Tempered glass, Black PNP6B6K40**

**The gas hob with dishwasher suitable cast iron pan supports, Ergonomic sword dials, and a Main Switch for precise control.**

---

### **Design**

- Tempered glass surface, Black
- Cast iron pan supports with rubber feet

### **Usage convenience**

- Design co-ordinated control dials, front: easily access dials in front with strong grip for effortless turning.
- Ignition via control dials: just push and turn the dials to ignite the flame.

### **Burners and power**

- 4 gas burners:
- Left front: standard burner up to 1.75 KW (depending on gas type)
- Left rear: Standard burner up to 1.75 KW (depending on gas type)
- Right rear: high-speed burner up to 3 KW (depending on gas type)
- Right front: economy burner up to 1 KW (depending on gas type)

### **Cleaning**

- Dishwasher suitable pan supports for easy cleaning.
- Cast iron pan supports with rubber feet: little weight and compact form, yet high stability due to continuous surface.

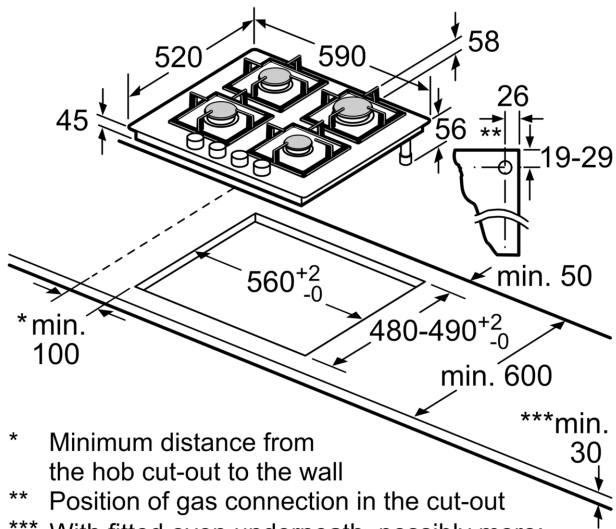
### **Safety**

- Flame failure safety device: prevents unwanted gas flow when flame goes out.

### **Installation (gas types & measurements)**

- Usable for: Nat gas L/LL G25/20mbar(DE)
- NG H/E 20mbar, E+ 20/25mbar Natural gas H 25 mbar (HU) Natural gas L 25 mbar (NL) Liquid gas G30,31 28-30/37mbar Liquid gas G30 37 mbar (PL) Liquid gas 50 mbar
- Pre-set for natural gas
- Nozzle set for LPG jets included. Connection to 28-30/37 mbar bottled gas. Nozzles for all other gas types can be ordered via the customer service. For nozzle change, please contact the customer service.
- Dimensions of the product (HxWxD mm): 57.4 x 590 x 520
- Required niche size for installation (HxWxD mm) : 45 x 560 x (480 - 490)
- Min. worktop thickness: 20 mm
- Power cord: 1 m
- Connected load: 7.5 KW

**Series 4, Gas hob, 60 cm, Tempered glass, Black  
PNP6B6K40**



- \* Minimum distance from the hob cut-out to the wall
  - \*\* Position of gas connection in the cut-out
  - \*\*\* With fitted oven underneath, possibly more; see space requirements for the oven
- measurements in mm