



# HOSHIZAKI

## Premier K 140 C U Double door refrigerator



2/1 GN

PRODUCT SERIES: PREMIER  
ITEM NUMBER: 181142090  
COUNTRY OF ORIGIN: TURKEY

Hoshizaki Premier K 140 C U is a 2/1 GN deep double door refrigerator with a net usable volume of 1085 ltr. ranking A in energy efficiency class. It has a cabinet height of 2075mm and depth of 848mm without pedal door opener (depth of 920mm incl. pedal door opener).

- Ventilated refrigeration system
- Air circulation system
- Automatic fan cut-out when door is opened
- Automatic defrost with re-evaporation of defrost water
- Compartmentalized cooling unit that is available as one unit
- Clean free condenser (condenser filter not needed)
- Heavy duty cabinet
- Climate class 5 cooling system enduring up to +40°C ambient temperature
- Exterior and interior of stainless steel AISI 304
- Anti-tilt shelf supports moulded into the inner lining
- Internal LED lighting
- Automatic door closing
- Door locks
- Removable magnetic door gaskets
- Pedal door openers with overload protection (included as accessory)
- Pan-shaped inside base with rounded corners to catch fluids
- Low sound level
- IP21 water protection
- Matching design identity as the Premier counters

### ACCESSORIES INCLUDED

6 grey shelves (530 x 650mm) + 2 bottom shelves Pedal door openers with overload protection

### OPTIONAL ACCESSORIES

Set of legs 130-180 mm  
 Grey shelf with back guard  
 Grey bottom shelf with back guard  
 Stainless shelf with back guard  
 Stainless bottom shelf with back guard  
 Set of stainless shelves (6 top and 2 bottom) with back guard  
 Shelf support U-shape, left side  
 Shelf support U-shape, right side  
 Master key

### WARRANTY PERIOD

**6 Years on Parts & Labour**

### EXTERIOR

**Stainless steel AISI 304**

### INTERIOR

**Stainless steel AISI 304**

Refrigerant: R290 / Refrigerant (kg): 0.14 / CO2 equivalent (kg): 0.42

### CERTIFICATIONS



Energy consumption (kWh/Year)	Energy efficiency class	Energy efficiency class standard	Energy Efficiency Index EEI
592	A	ISO 22041-2019	24.75



# HOSHIZAKI

## Premier K 140 C U

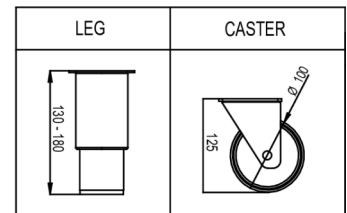
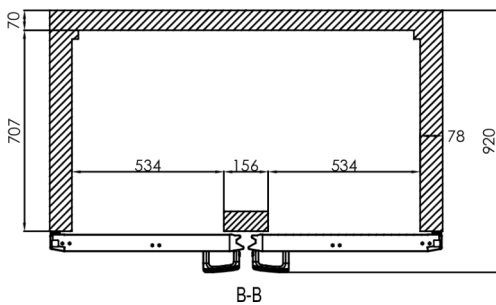
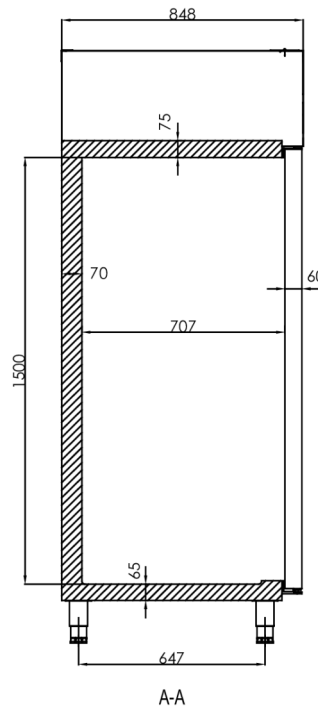
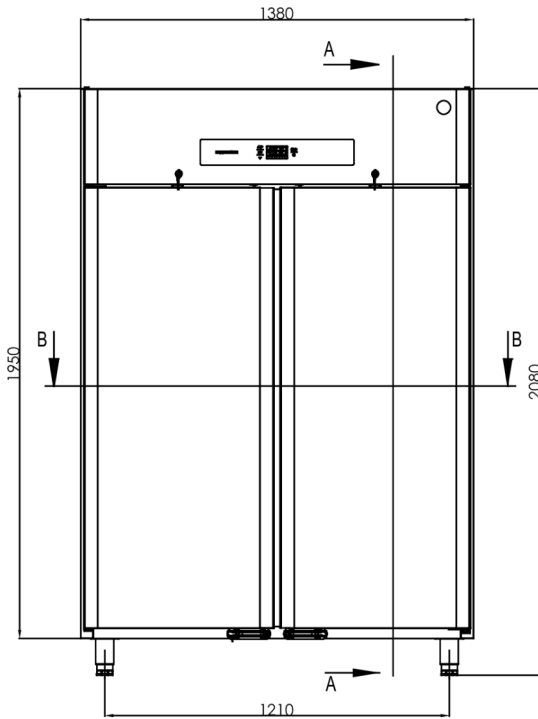
### TECHNICAL SPECIFICATIONS

Temperature Range	GN or Tray Size (mm)	Volume, Gross (ltr.)	Net Usable Volume (ltr.)	Power Supply	Connection Load (Watt)	Ref. capacity at -10°C (Watt)	Climate Class	Sound Level – dB(A)
+2/+12°C	2/1 GN deep	1,400	1,085	230V, 50 Hz	200	361	S (max. ambient 40°C w/ 40% RH)	50

### SHIPPING SPECIFICATIONS

Dimensions W x D x H (mm)	Net Weight (kg)	Dimensions, Packed, W x D x H (mm)	Weight, Packed (kg)	Volume Packed (m3)
1380 x 848 x 2075 (including castors)	196	1420 x 880 x 2150	212	2.68

Disclaimer: Every effort has been made to ensure that the information contained in this spec sheet is accurate at the time of publishing. Hoshizaki Europe BV assumes no responsibility or liability for typographical errors or omissions or for any misinterpretation of the information within the publication and reserves the right to change without notice.



Hoshizaki Belgium  
Hoshizaki Danmark  
Hoshizaki Deutschland  
Hoshizaki France  
Hoshizaki Iberia  
Hoshizaki Italia  
Hoshizaki Middle East

[info@hoshizaki.be](mailto:info@hoshizaki.be)  
[info@hoshizaki.dk](mailto:info@hoshizaki.dk)  
[vertrieb@hoshizaki.de](mailto:vertrieb@hoshizaki.de)  
[info@hoshizaki.fr](mailto:info@hoshizaki.fr)  
[info@hoshizaki.es](mailto:info@hoshizaki.es)  
[commerciale@hoshizaki.it](mailto:commerciale@hoshizaki.it)  
[sales.ex@hoshizaki-europe.com](mailto:sales.ex@hoshizaki-europe.com)

Hoshizaki Netherlands [info@hoshizaki.nl](mailto:info@hoshizaki.nl)  
Hoshizaki Norge [salg@hoshizaki.no](mailto:salg@hoshizaki.no)  
Hoshizaki Sverige [orderSE@hoshizaki.dk](mailto:orderSE@hoshizaki.dk)  
Hoshizaki UK [uksales@hoshizaki.uk](mailto:uksales@hoshizaki.uk)  
Export countries [sales.ex@hoshizaki-europe.com](mailto:sales.ex@hoshizaki-europe.com)  
Other countries [sales.ex@hoshizaki-europe.com](mailto:sales.ex@hoshizaki-europe.com)

[www.hoshizaki.uk](http://www.hoshizaki.uk)