

Cassette 1000 Retail



Cassettes

Optimyst Cassettes are perfect for creating a see-through fireplace, media wall or an eye-catching fireplace of your dreams. The range is truly unique and offers a choice of installation options for both domestic and commercial environments.

Available in 500 or 1000 modules, this bespoke range allows up to 5 cassettes to be connected in series from one outlet. All features can be controlled with the remote supplied or from the manual controls on the module enabling you to adjust the flame intensity and crackling log sound effect.

Optimyst is the world's most realistic 3D electric flame, patented by Dimplex. This unique flame effect is generated by an innovative combination of water vapour and light offering a stunning illusion of a three-dimensional flame which is almost impossible to distinguish from the real thing.

Experience Better Living



Optimyst flame technology.
This unique flame effect is generated by an innovative combination of water vapour and light



Variable flame intensity.
Adjust the flame effect up or down



Remote control.
Controlling all functions of the cassette



Manual control.
Can also be operated via the button display on the unit



LED lighting.
Efficient low energy and long lasting LED bulbs



Crackling sound.
Real flame crackling sound with volume control



Easy to fill water bottle.
Can operate for 8-10 hours on a single fill of water



Daisy chain.
Connect up to 5 units together



All-round view.
Showing a panoramic view of the flames from every angle



Flexible installation.
Suitable for domestic and commercial projects



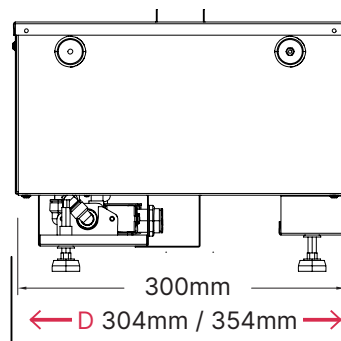
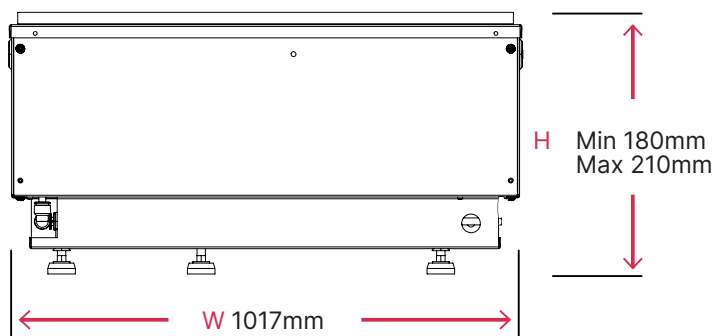
Log effect fuel bed.
Comes with LED log effect fuel bed



Cassette 1000

Experience Better Living

Dimensions



Dimensions		
Height (mm)	Width (mm)	Depth (mm)
Min 180 / Max 210	1017	304 / 354

Fuel Bed	Width (mm)
Metal	304
Log	354

Specifications

Technical Details	
Product Type	Cassette
Flame Effect	Optimyst
Model/Range Name	Cassette 1000
Model Reference	CAS1000R-LED-UK
Model Number	X-070883
Bar Code	5011139070883
Warranty	2 years
Heat Output	n/a
Wattage	450-480W
Voltage	230V/50Hz
Thermostat	N
Power Consumption (flame effect)	450W
Manual Control	Y
Remote Control	Y
Batteries Included	Y - 2 x AAA

Technical Details	
View Type	1, 2, 3 or 4-sided
Lighting Module	LED
Water Tank Size	1.3 Litre
Water Supply	Manual fill water bottle
Water Refill	Every 8-10 hrs (approx.)
Water Type	Filtered water only
Free Ventilation Area	Minimum 420cm ²
Fuel Bed Supplied	Logs
Sound	Y
Kettle (IEC) Lead	Y
Power Cord Length	1.8m
Unpacked Weight	24kg
Finish/colour	Black
Flame Effect Only	Y
Safety Cut Out	Y