

**Series 6, Built-in modular
dishwasher, 60 cm, Black
SCX6ITB00E**



Optional accessories

SGZ3003	Silver polishing cassette
SMZ1051EU	Mains cable with EU-Plug 5m
HEZ860050	strip
HEZ860060	strip

**The fully flexible and seamlessly
integrated solution for your compact
kitchen without compromising on
performance and design.**

- **Extra Dry:** extra drying option for difficult-to-dry loads.
- **EcoSilence Drive:** especially energy-saving and silent in operation with a particularly high life span.
- **Active Water:** less water, less energy, better performance.
- **Auto Programmes:** automatically selects the best cleaning performance programme.
- **LED Display:** indicates remaining program time and salt and rinse aid refill reminders.

Technical Data

Energy Efficiency Class ¹ : E
Energy Consumption for 100 cycles Eco Programme ² : 65 kWh
Maximum number of place settings: 8
The water consumption of the eco programme in liters per cycle:	9.0 l
Programme duration ³ : 3:55 h
Airborne acoustical noise emissions :47 dB(A) re 1pW
Airborne acoustical noise emission class:C
Built-in / Free-standing: Built-in
Height of removable worktop:0 mm
Dimensions of the product (HxWxD):595 x 595 x 500 mm
Depth with open door 90 degree: 995 mm
Adjustable plinth: No
Net weight:25.1 kg
Gross weight: 28.0 kg
Connection rating: 2400 W
Fuse protection:10 A
Voltage: 220-240 V
Frequency: 50; 60 Hz
Repair index:8.3
Length electrical supply cord: 175.0 cm
Plug type: Gardy plug w/ earthing
Length inlet hose: 165 cm
Length outlet hose: 215 cm
EAN code: 4242005498628
Installation typology: Table top



¹ Scale of Energy Efficiency Classes from A to G
² Energy consumption in kWh per 100 cycles (in programme Eco 50 °C)
³ Duration of programme Eco 50 °C

Series 6, Built-in modular dishwasher, 60 cm, Black SCX6ITB00E

**The fully flexible and seamlessly
integrated solution for your compact
kitchen without compromising on
performance and design.**

Performance

- Energy Efficiency Class¹: E
- Energy² / Water³: 65 kWh / 9 litres
- Capacity: 8 place settings
- Programme duration⁴: 3:55 (h:min)
- Noise level: 47 dB(A) re 1 pW
- Noise Efficiency Class: C

Programmes / functions

- 6 programmes: Eco 50 °C, Auto 45-65 °C, Intensive 70 °C, Glass 40 °C, Express 45 °C, Pre rinse
- 4 special options: SpeedPerfect+, Extra Dry, Hygiene+, Intensive Zone

Flexible design elements

- Flexible basket system: – 2 silver-coloured baskets – Foldable plate racks in bottom basket – Variable cutlery basket in bottom basket – Cup shelf in bottom basket

Innovations and technology

- Heat exchanger - Hygienic and efficient drying
- EcoSilence BLDC drive
- Automatic detergent detection
- AquaSensor III
- AquaMix - Glass protection system

Design features

- Touch control
- Full glass door (black glass) incl. Plinth
- Curved spray arms
- Time delay (3, 6 or 24 hours)
- Remaining programme time indicator (min)
- Tamperproof controls
- AquaStop: Bosch's warranty in case of water damage - for the lifetime of the appliance. Please find warranty terms under <https://www.bosch-home.co.uk/customer-service/care-protection-and-parts/additional-warranties>
- aquastop Extension
- Self cleaning filter system with 3 piece corrugated filter
- Stainless steel/Polinox interior
- Dimensions (HxWxD): 59.5 x 59.5 x 50cm

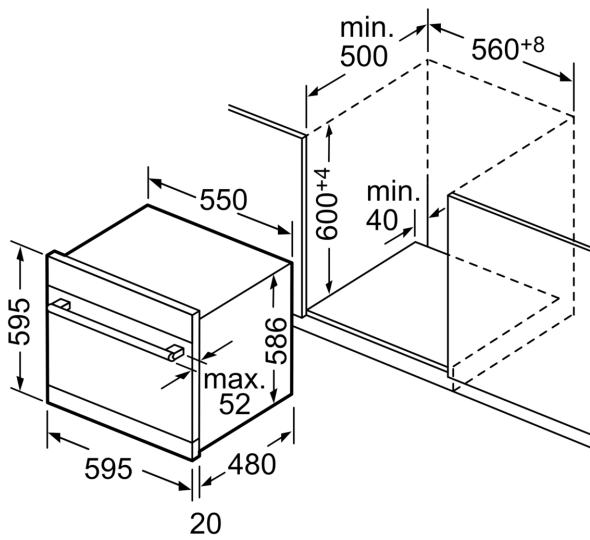
¹ Scale of Energy Efficiency Classes from A to G

² Energy consumption in kWh per 100 cycles (in programme Eco 50 °C)

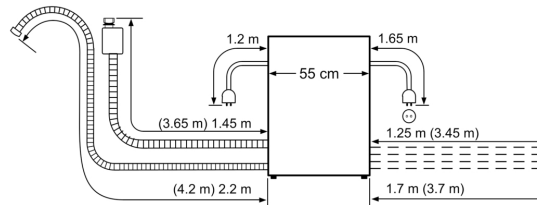
³ Water consumption in litres per cycle (in programme Eco 50 °C)

⁴ Duration of programme Eco 50 °C

**Series 6, Built-in modular
dishwasher, 60 cm, Black
SCX6ITB00E**



measurements in mm



Nominal lengths:

AquaStop: 1.65 m
Drain hose: 2.25 m
Mains cable: 1.70 m

Extension:

AquaStop: 2.20 m
Drain hose: 2.00 m